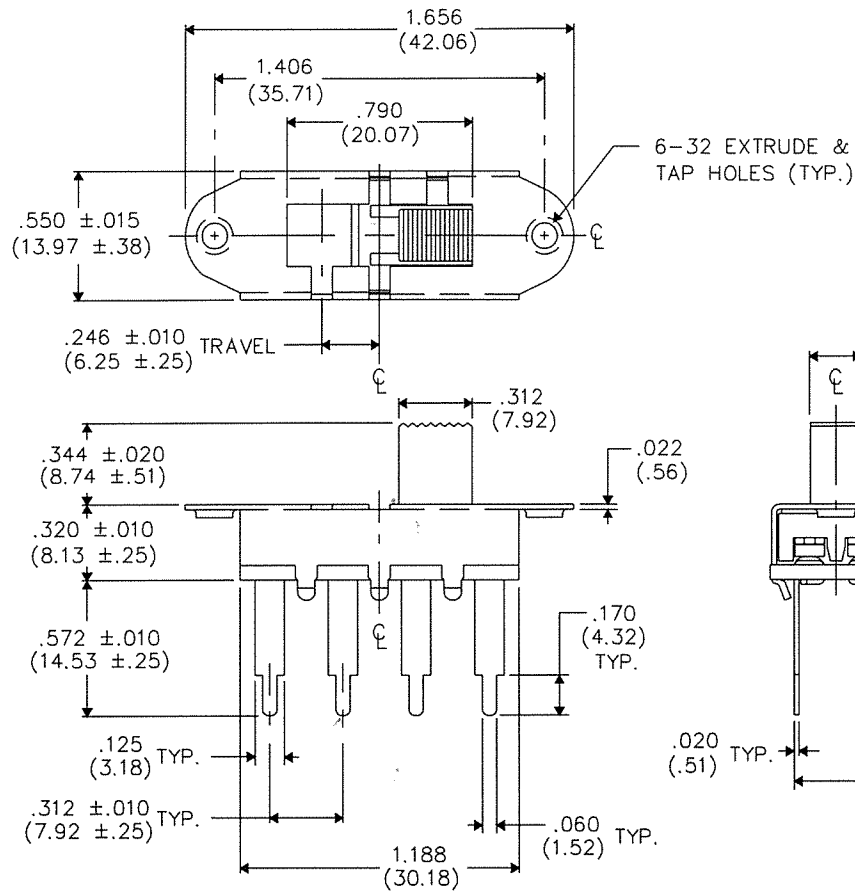


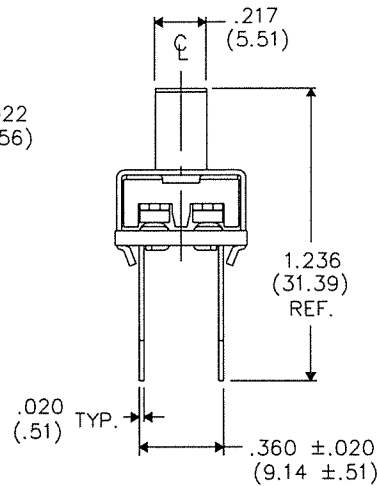
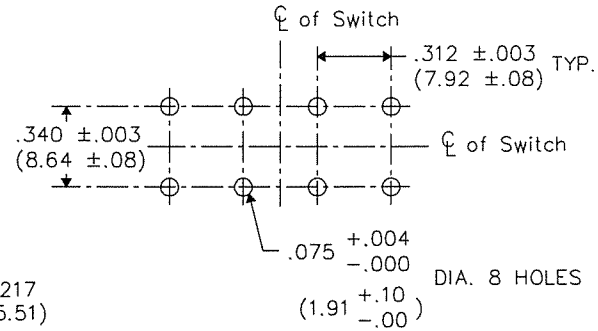
DIMENSIONS IN INCHES (MILLIMETERS)
DO NOT SCALE DRAWING

Dwg. No.
G-628S-0024

E
D
C
B
A



P.C. LAYOUT



1 2 3 4 5 6 7 8 9 10

B-FORMAT 2002

REVISIONS

0	RELEASED DGW 3-23-2004 MAY 03, 2004
---	---

ATTENTION

THIS DRAWING AND ITS ATTACHMENT, IF ANY, ARE PROPRIETARY TO CW INDUSTRIES AND DESCRIBE DESIGNS THAT ARE CONFIDENTIAL AND MUST NOT BE DISCLOSED UNLESS AUTHORIZED, IN WRITING, BY AN OFFICER OF CW INDUSTRIES.....

CW INDUSTRIES
Southampton, Pa. 18966

TOLERANCES UNLESS OTHERWISE SPECIFIED	
2 Place Decimal ±.010	METRIC
3 Place Decimal ±.005	1 Place Dec. ±.25mm
Angles ±1'	2 Place Dec. ±.13mm

Made for: CW IND.
Drawn by: DGW 3-23-2004
Checked by: GG 4-13-04
Approval: BF 4-26-4

Title: SLIDE SWITCH ASSEMBLY
D.P.- 3 POS.

Division: SWITCH

Dwg. No. G-628S-0024

PDF File Made