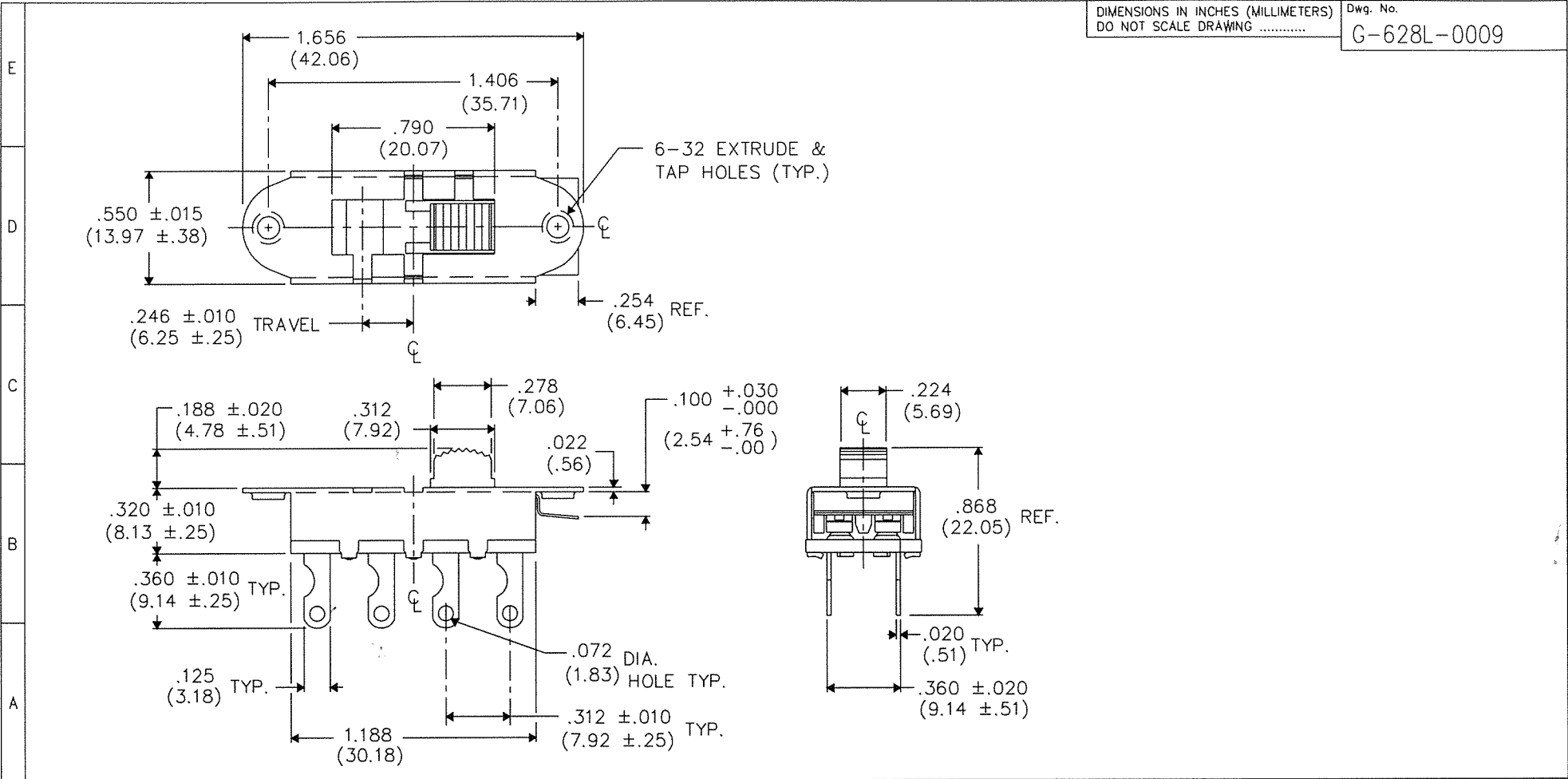


DIMENSIONS IN INCHES (MILLIMETERS)
DO NOT SCALE DRAWING

Dwg. No.
G-628L-0009



1 2 3 4 5 6 7 8 9 10

B-FORMAT 2002 REVISIONS 0	RELEASED: 3-19-2004 DCW Mar. 24, 2004	ATTENTION THIS DRAWING AND ITS ATTACHMENT, IF ANY, ARE PROPRIETARY TO CW INDUSTRIES AND DESCRIBE DESIGNS THAT ARE CONFIDENTIAL AND MUST NOT BE DISCLOSED UNLESS AUTHORIZED, IN WRITING, BY AN OFFICER OF CW INDUSTRIES.....	CW INDUSTRIES Southampton, Pa. 18966	Title: SLIDE SWITCH D.P./3 POS.
	TOLERANCES UNLESS OTHERWISE SPECIFIED 2 Place Decimal ±.010 METRIC 3 Place Decimal ±.005 1 Place Dec. ±.25mm Angles ±1° 2 Place Dec. ±.13mm		Division: SWITCH	
	Made for: CW IND. Drawn by: DGW 3-19-2004 Checked by: GG 3-23-04 Approval: BF 3-23-4		Dwg. No. G-628L-0009	
	PDF File Made			