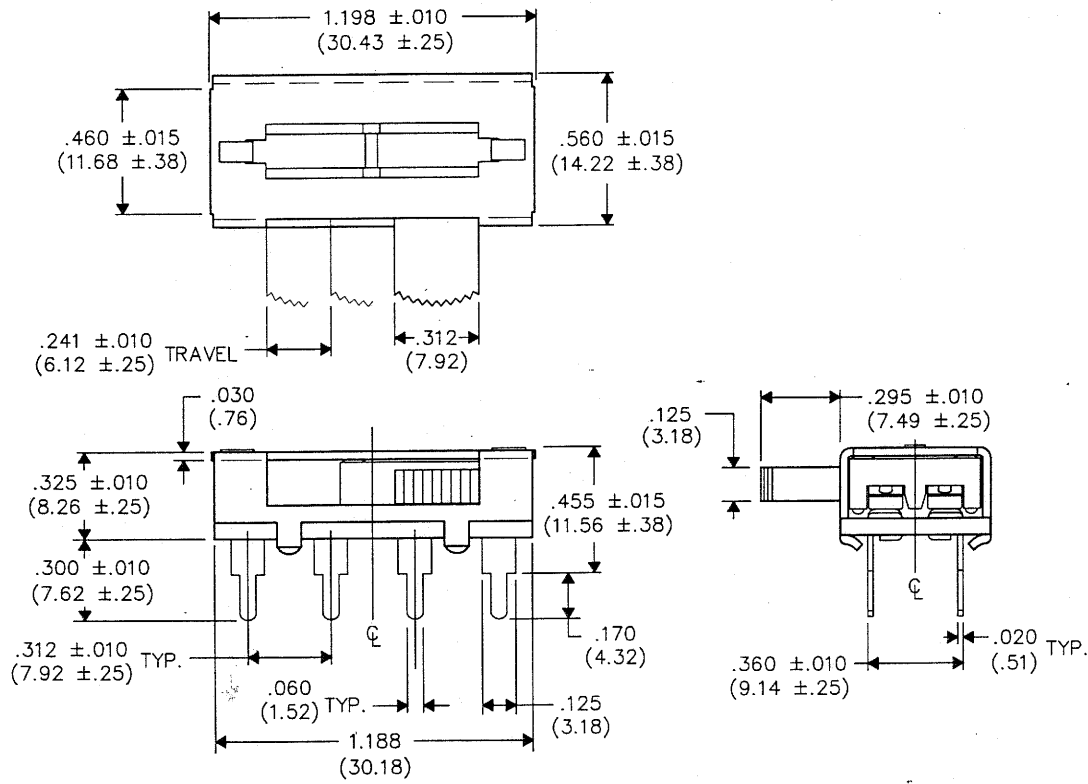


InActive

DIMENSIONS IN INCHES (MILLIMETERS)  
DO NOT SCALE DRAWING .....

Dwg. No.

G-386-0021



FORM-B2

REVISIONS

0  
RELEASED  
DGW 8-20-96

PDF File Made

ID. No: SAA0239A

**CW INDUSTRIES**  
Southampton, Pa. 18966

TOLERANCES UNLESS OTHERWISE SPECIFIED  
2 Place Decimal ±.010 METRIC  
3 Place Decimal ±.005 1 Place Dec. ±.25mm  
Angles ..... ±1° 2 Place Dec. ±.13mm

Made for: CW IND.

Drawn by: DGW 8-20-96

Checked by: G. GOLA 8-23-96

Approval: 2 [Signature] 8-26-96

Title: STANDARD SWITCH D.P./3 POS.

Division: SWITCH

Dwg. No. G-386-0021