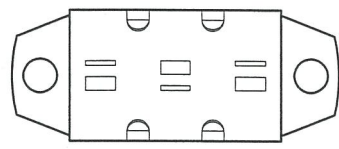
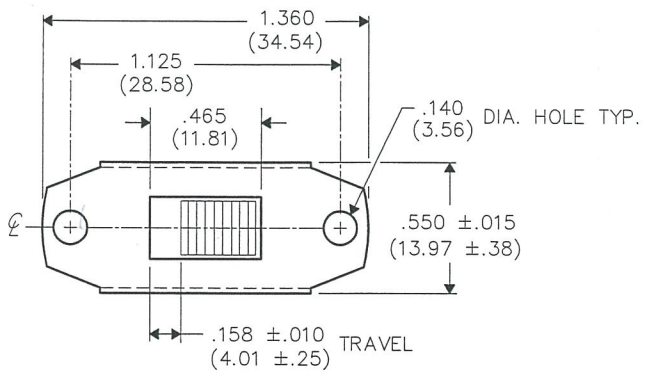


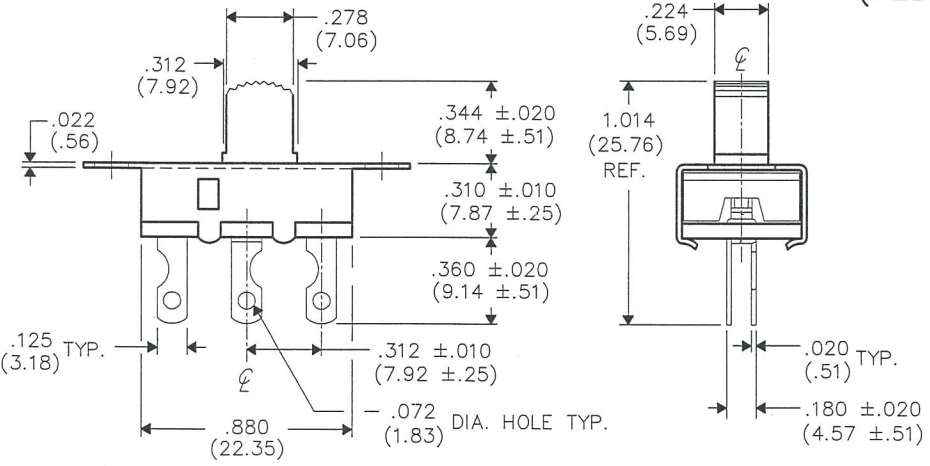
THIS INFORMATION IS CONFIDENTIAL AND PROPRIETARY TO CW INDUSTRIES INCORPORATED AND ITS AFFILIATES. IT MAY NOT BE DISCLOSED TO ANYONE, OTHER THAN CW INDUSTRIES PERSONNEL, WITHOUT WRITTEN AUTHORIZATION FROM CW INDUSTRIES INCORPORATED, SOUTHAMPTON, PENNSYLVANIA USA.

DIMENSIONS IN INCHES (MILLIMETERS)
DO NOT SCALE DRAWING

Dwg. No.
G-332-0046



**BOTTOM VIEW
(RELOCATED)**



1 2 3 4 5 6 7 8 9 10

B-FORMAT 2002	REVISIONS	0
	RELEASED: DGW 2-16-16 /M/ 3 9 70W	

PDF MADE	CW INDUSTRIES Southampton, Pa. 18966	Title: SLIDE SWITCH ASSEMBLY S.P. - D.T. SPRING RETURN
	TOLERANCES UNLESS OTHERWISE SPECIFIED	
	2 Place Decimal ±.010 METRIC 3 Place Decimal ±.005 1 Place Dec. ±.25mm Angles ±1' 2 Place Dec. ±.13mm	Division: SWITCH
	Made for: CW IND. Drawn by: DGW 2-16-16 Checked by: <i>G. Guld 4-12-16</i> Approval: <i>G. Guld 4-12-16</i>	Dwg. No. G-332-0046

MASTER