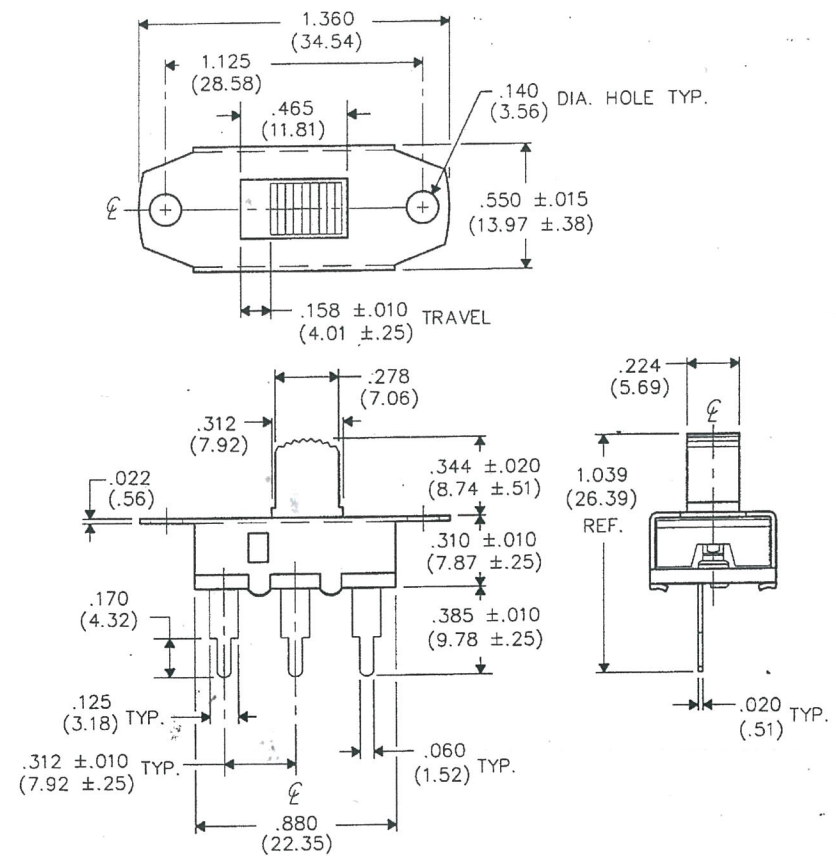


DIMENSIONS IN INCHES (MILLIMETERS)  
DO NOT SCALE DRAWING .....

Dwg. No.  
G-332-0039



E  
D  
C  
B  
A

1 2 3 4 5 6 7 8 9 10

FORM-B4  
REVISIONS  
RELEASED  
DCW 6-27-2001

**ATTENTION**  
THIS DRAWING AND ITS ATTACHMENT, IF ANY, ARE PROPRIETARY TO CW INDUSTRIES AND DESCRIBE DESIGNS THAT ARE CONFIDENTIAL AND MUST NOT BE DISCLOSED UNLESS AUTHORIZED, IN WRITING, BY AN OFFICER OF CW INDUSTRIES.....

**CW INDUSTRIES**  
Southampton, Pa. 18966

TOLERANCES UNLESS OTHERWISE SPECIFIED  
2 Place Decimal ±.010 METRIC  
3 Place Decimal ±.005 1 Place Dec. ±.25mm  
Angles ..... ±1' 2 Place Dec. ±.13mm

Made for: CW IND.  
Drawn by: DGW 6-27-2001  
Checked by: A.Guld 7-3-01  
Approval: [Signature]

Title: SWITCH ASSEMBLY S.P. - D.T. SPRING RETURN  
Division: SWITCH  
Dwg. No. G-332-0039

MASTER