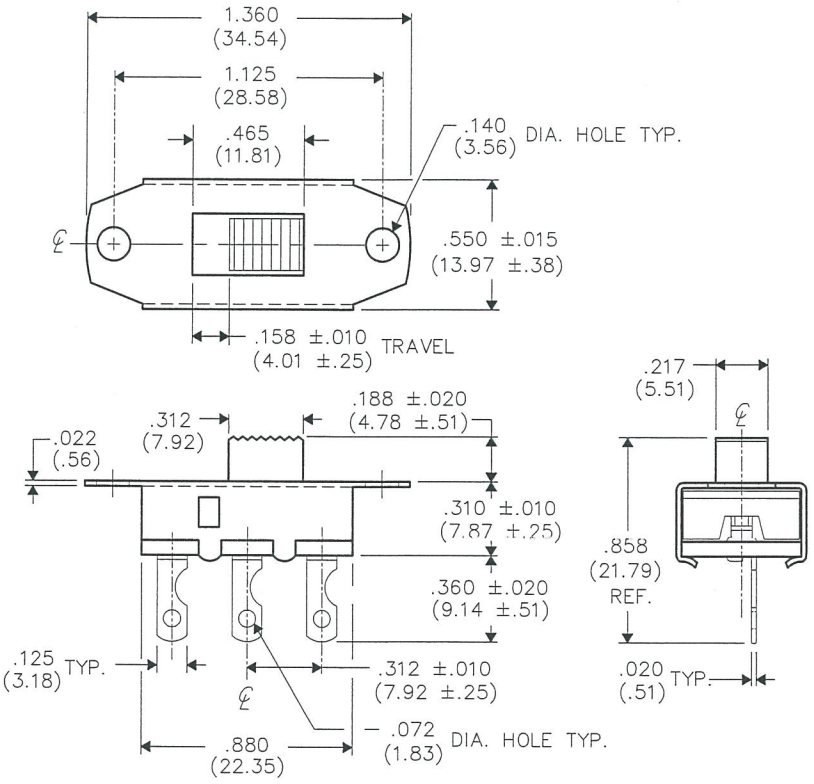


THIS INFORMATION IS CONFIDENTIAL AND PROPRIETARY TO CW INDUSTRIES INCORPORATED AND ITS AFFILIATES. IT MAY NOT BE DISCLOSED TO ANYONE OTHER THAN CW INDUSTRIES PERSONNEL, WITHOUT WRITTEN AUTHORIZATION FROM CW INDUSTRIES INCORPORATED, SOUTHAMPTON, PENNSYLVANIA USA.

DIMENSIONS IN INCHES (MILLIMETERS)
DO NOT SCALE DRAWING

Dwg. No.
G-332-0016



1 2 3 4 5 6 7 8 9 10

B-FORMAT 2002	REVISIONS	0
	RELEASED.	2-15-2016
	DGW	APR 12 2016

CW INDUSTRIES Southampton, Pa. 18966	
<small>TOLERANCES UNLESS OTHERWISE SPECIFIED</small>	
2 Place Decimal ±.010	METRIC
3 Place Decimal ±.005	1 Place Dec. ±.25mm
Angles ±1'	2 Place Dec. ±.13mm
Made for: CW IND.	Division: SWITCH
Drawn by: DGW 2-15-2016	Dwg. No. G-332-0016
Checked by: <i>G. GOLD 2-17-16</i>	Approval: <i>G. GOLD 2-17-16</i>

Title: **SLIDE SWITCH ASSEMBLY S.P. - D.T. SPRING RETURN**

MASTER