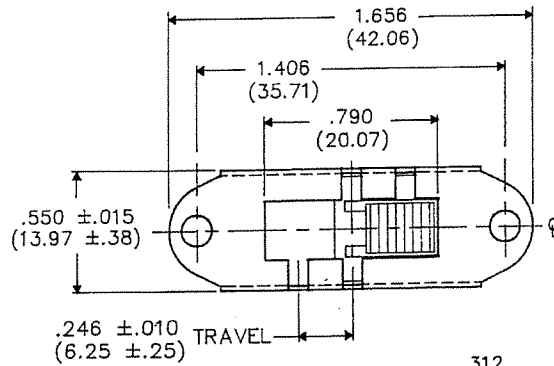


InActive

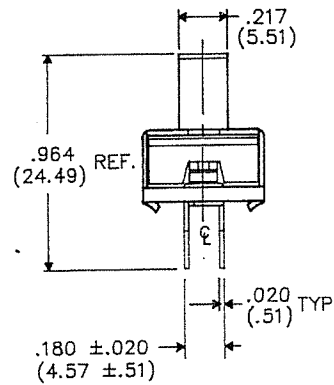
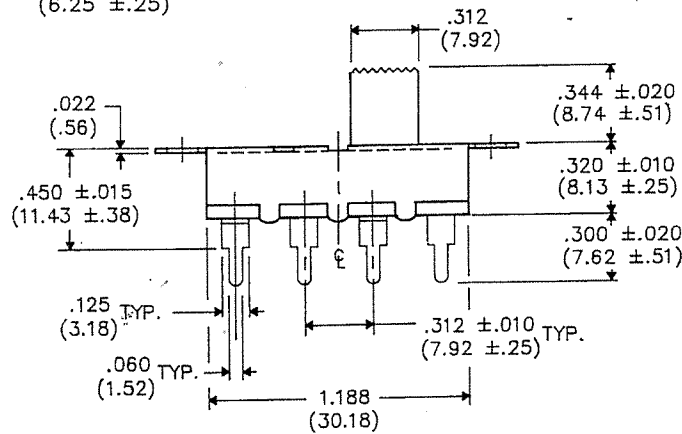
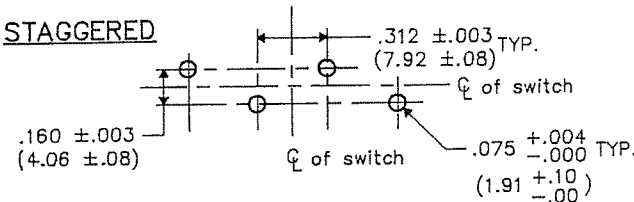
DIMENSIONS IN INCHES (MILLIMETERS)
DO NOT SCALE DRAWING...

Drawing No.
G-329S-0001



P.C. LAYOUT

STAGGERED



B. FORM-8

REVISIONS
1 UPDATED & REDRAWN, ADDED P.C. LAYOUT, DWG 6-30-94 .312 WAS .307 & REMOVED .072 DIA. JUL 1994

ATTENTION
THIS DRAWING AND ITS ATTACHMENT, IF ANY, ARE PROPRIETARY TO CW INDUSTRIES AND DESCRIBE DESIGNS THAT ARE CONFIDENTIAL AND MUST NOT BE DISCLOSED UNLESS AUTHORIZED, IN WRITING, BY AN OFFICER OF CW INDUSTRIES.....

CW INDUSTRIES
Southampton, Pa. 18966

PDF File Made

TOLERANCES UNLESS OTHERWISE SPECIFIED	
2 Place decimal ±.010	METRIC
3 Place decimal ±.005	1 Place dec. ±.25 MM
Angles	1° 2 Place dec. ±.13 MM
Made for CW IND.	
Drawn by	DGW 6-30-94
Checked by	G.GULI 7-6-94
Approval	[Signature]

Title	
SWITCH ASSEMBLY S.P. - 3 POS.	
Division	SWITCH
Drawing No.	G-329S-0001