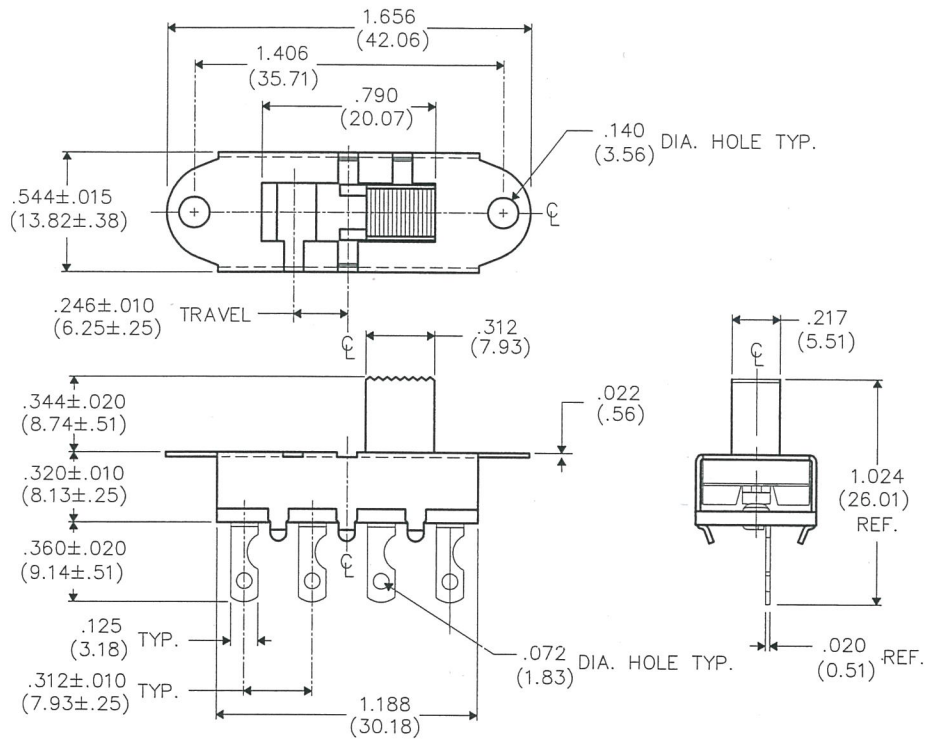


THIS INFORMATION IS CONFIDENTIAL AND PROPRIETARY TO CW INDUSTRIES INCORPORATED AND ITS AFFILIATES. IT MAY NOT BE DISCLOSED TO ANYONE OTHER THAN CW INDUSTRIES PERSONNEL, WITHOUT WRITTEN AUTHORIZATION FROM CW INDUSTRIES INCORPORATED, SOUTHAMPTON, PENNSYLVANIA USA.

DIMENSIONS IN INCHES (MILLIMETERS)  
DO NOT SCALE DRAWING .....

Dwg. No.  
**G-329S-0000**



B-FORMAT 2002	REVISIONS	1-19-2016 DGW JAN 25 2016							<b>CW INDUSTRIES</b> Southampton, Pa. 18966 TOLERANCES UNLESS OTHERWISE SPECIFIED 2 Place Decimal ±.010 METRIC 3 Place Decimal ±.005 1 Place Dec. ±.25mm Angles ..... ±1' 2 Place Dec. ±.13mm	Title: <b>SLIDE SWITCH ASSEMBLY</b> S.P. - 3 POS.
							Made for: CW IND. Drawn by: DGW 1-19-2016 Checked by: G. GULD 1-21-16 Approval: G. GULD 1-21-16	Division: <b>SWITCH</b> Dwg. No. <b>G-329S-0000</b>		

MASTER