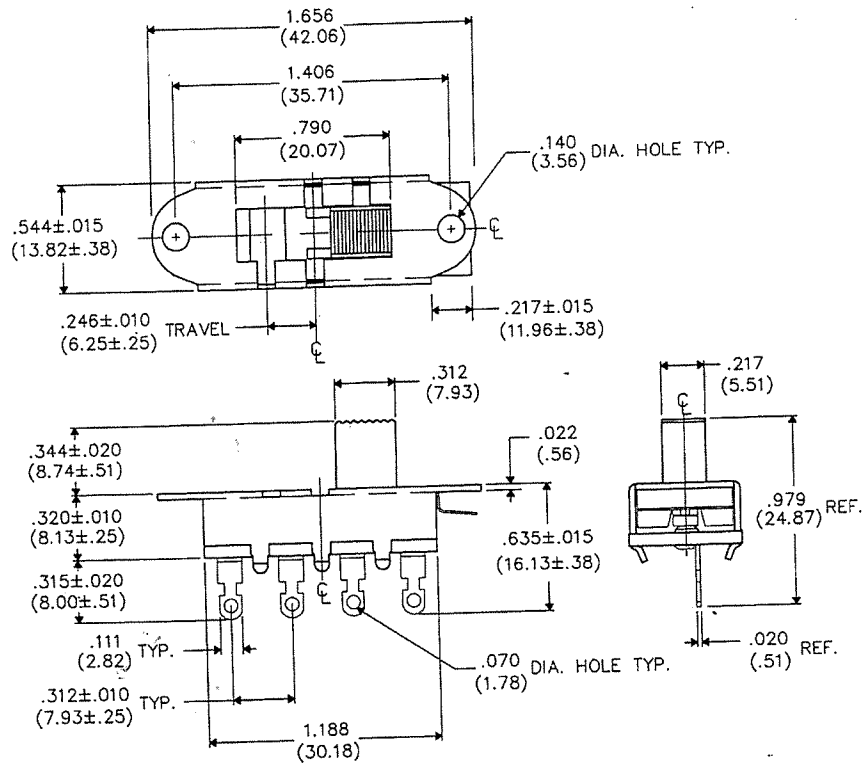


InActive

DIMENSIONS IN INCHES (MILLIMETERS)
DO NOT SCALE DRAWING

Dwg. No.

G-329L-0019



E
D
C
B
A

1

2

3

4

5

6

7

8

9

10

FORM-B4

REVISIONS

0
RELEASED:
DGW 8-28-2000

ATTENTION
THIS DRAWING AND ITS ATTACHMENT, IF ANY, ARE PROPRIETARY TO CW INDUSTRIES AND DESCRIBE DESIGNS THAT ARE CONFIDENTIAL AND MUST NOT BE DISCLOSED UNLESS AUTHORIZED, IN WRITING, BY AN OFFICER OF CW INDUSTRIES.....

PDF File Made

CW INDUSTRIES
Southampton, Pa. 18965

TOLERANCES UNLESS OTHERWISE SPECIFIED
2 Place Decimal ±.010 METRIC
3 Place Decimal ±.005 1 Place Dec. ±.25mm
Angles ±1' 2 Place Dec. ±.13mm

Made for: CW IND.
Drawn by: DGW 8-28-2000
Checked by: G. Guld 9-12-00
Approval: R. C. ... 7-1-00

Title:

SWITCH
ASSEMBLY
S.P. - 3 POS.

Division:

SWITCH

Dwg. No.

G-329L-0019