

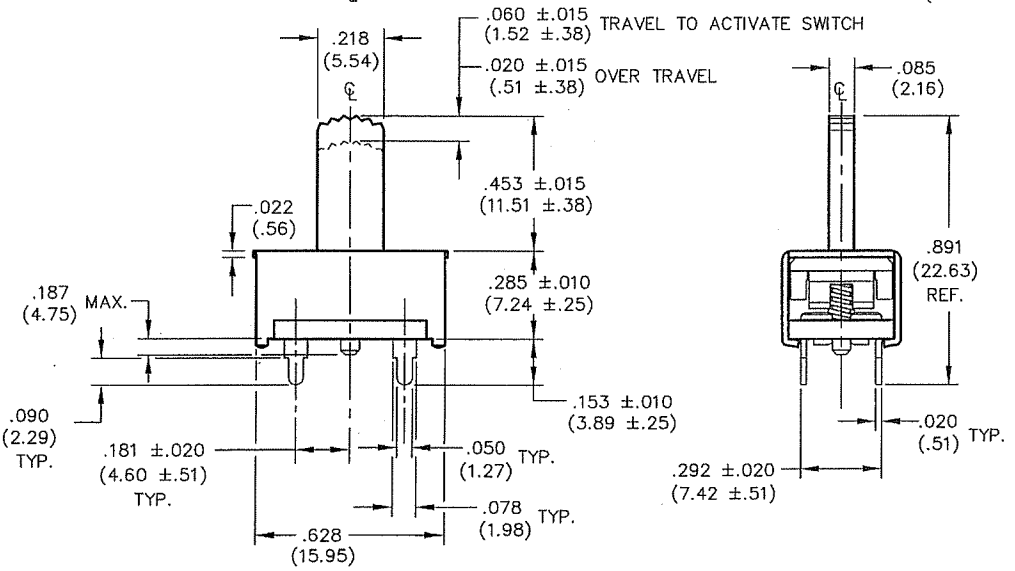
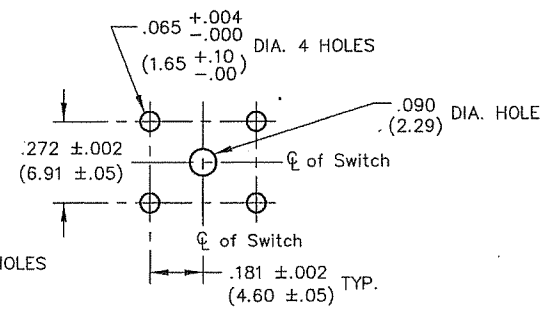
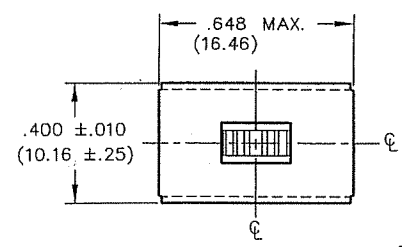
THIS INFORMATION IS CONFIDENTIAL AND PROPRIETARY TO CW INDUSTRIES, INCORPORATED AND ITS AFFILIATES. IT MAY NOT BE DISCLOSED TO ANYONE OTHER THAN CW INDUSTRIES PERSONNEL WITHOUT WRITTEN AUTHORIZATION FROM CW INDUSTRIES INCORPORATED, SOUTHAMPTON, PENNSYLVANIA USA.

E  
D  
C  
B  
A

DIMENSIONS IN INCHES (MILLIMETERS)  
 DO NOT SCALE DRAWING .....

Dwg. No.  
**G-223-0023**

**P.C. LAYOUT**



	2	3	4	5	6	7	8	9	10
--	---	---	---	---	---	---	---	---	----

B-FORMAT 2002	REVISIONS	0	7-06-2011	CG	7/13/11	JUL 13 2011				
---------------	-----------	---	-----------	----	---------	-------------	--	--	--	--

PDF FILE	<b>CW INDUSTRIES</b> Southampton, Pa. 18966	Title: <b>MINI-SWITCH PUSH BUTTON ASSEMBLY S.P - S.T.</b>	
	TOLERANCES UNLESS OTHERWISE SPECIFIED		
	2 Place Decimal ±.010 3 Place Decimal ±.005 Angles ..... ±1°	METRIC 1 Place Dec. ±.25mm 2 Place Dec. ±.13mm	Division: <b>SWITCH</b>
	Made for: CW IND. Drawn by: DGW 7-06-2011 Checked by: G. Guld 7-13-11 Approval: C. Hemen 7/13/11		Dwg. No. <b>G-223-0023</b>

**MASTER**