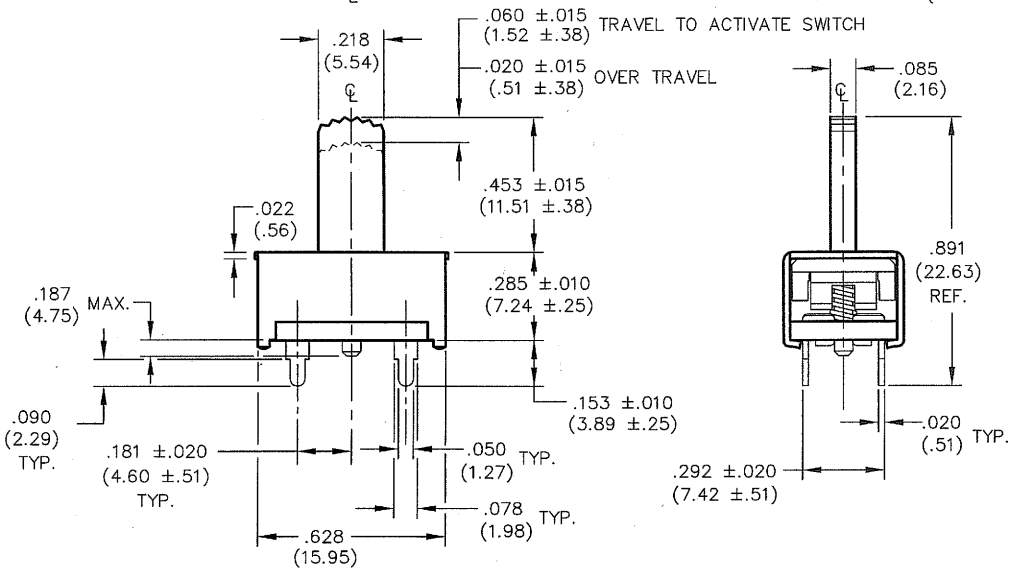
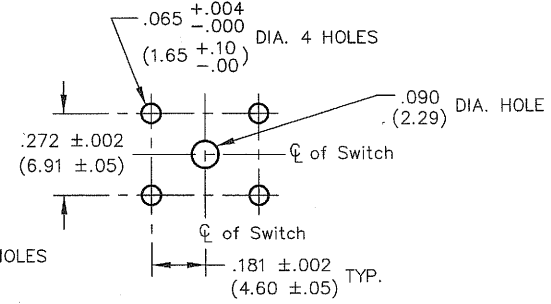
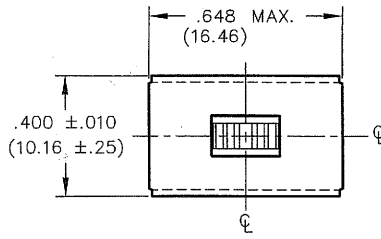


THIS INFORMATION IS CONFIDENTIAL AND PROPRIETARY TO CW INDUSTRIES INCORPORATED AND ITS AFFILIATES. IT MAY NOT BE DISCLOSED TO ANYONE OTHER THAN CW INDUSTRIES PERSONNEL WITHOUT WRITTEN AUTHORIZATION FROM CW INDUSTRIES INCORPORATED, SOUTHAMPTON, PENNSYLVANIA USA.

F
D
C
B
A

DIMENSIONS IN INCHES (MILLIMETERS)
 DO NOT SCALE DRAWING
 Dwg. No. **G-223-0023**

P.C. LAYOUT



2 3 4 5 6 7 8 9 10

B-FORMAT 2002

REVISIONS
 0
 RELEASED
 DGW 7-06-2011
 7/13/11

CW INDUSTRIES
 Southampton, Pa. 18966
TOLERANCES UNLESS OTHERWISE SPECIFIED
 2 Place Decimal ±.010 METRIC
 3 Place Decimal ±.005 1 Place Dec. ±.25mm
 Angles ±1' 2 Place Dec. ±.13mm
 Made for: CW IND.
 Drawn by: DGW 7-06-2011
 Checked by: *G. Gold 7-13-11*
 Approval: *C. H. ... 7/13/11*

Title: **MINI-SWITCH
 PUSH BUTTON
 ASSEMBLY
 S.P - S.T.**
 Division: **SWITCH**
 Dwg. No. **G-223-0023**

MASTER