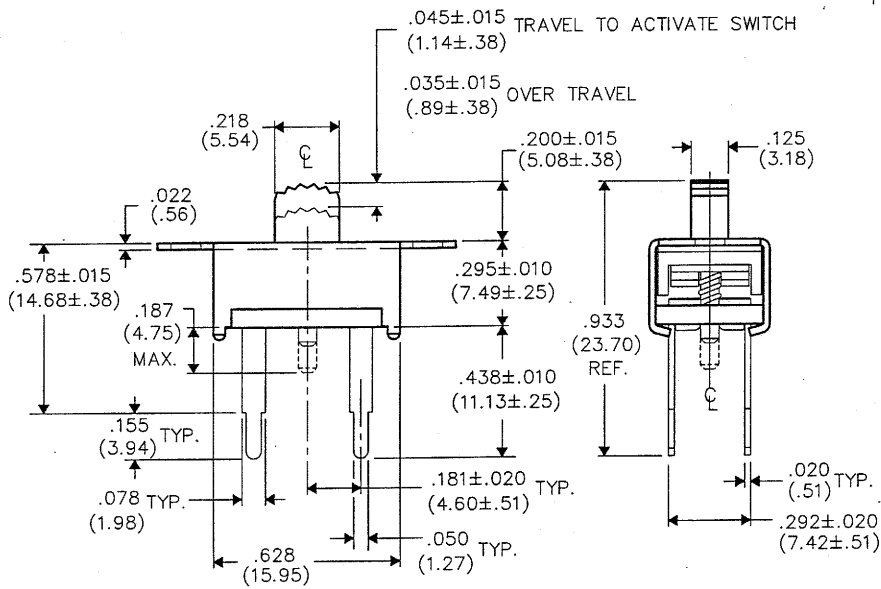
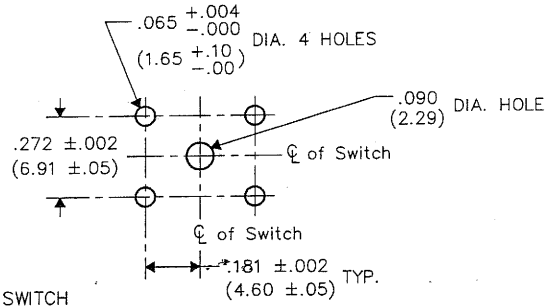
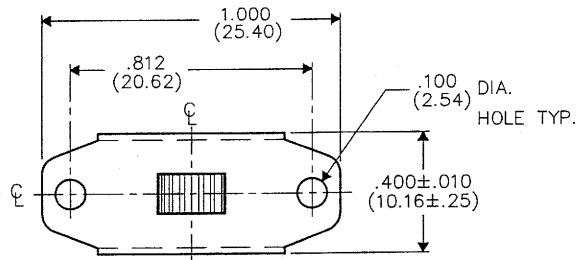


DIMENSIONS IN INCHES (MILLIMETERS)
DO NOT SCALE DRAWING

Dwg. No.
G-223-0022

P.C. LAYOUT



E
D
C
B
A

1 2 3 4 5 6 7 8 9 10

B-FORMAT 2002

REVISIONS

0	RELEASED DCW 9-26-2007
	SEP 27 2007

PDF FILE MADE	CW INDUSTRIES Southampton, Pa. 18966		Title: MINI SWITCH S.P./S.T.	
	TOLERANCES UNLESS OTHERWISE SPECIFIED			
	2 Place Decimal ±.010	METRIC		
	3 Place Decimal ±.005	1 Place Dec. ±.25mm		
Angles ±1'		2 Place Dec. ±.13mm		
Made for: CW IND.			Division: SWITCH	
Drawn by: DGW 9-26-2007			Dwg. No. G-223-0022	
Checked by: <i>G. Guld</i> 9-27-07				
Approval: <i>[Signature]</i> 9-27-07				

MASTER