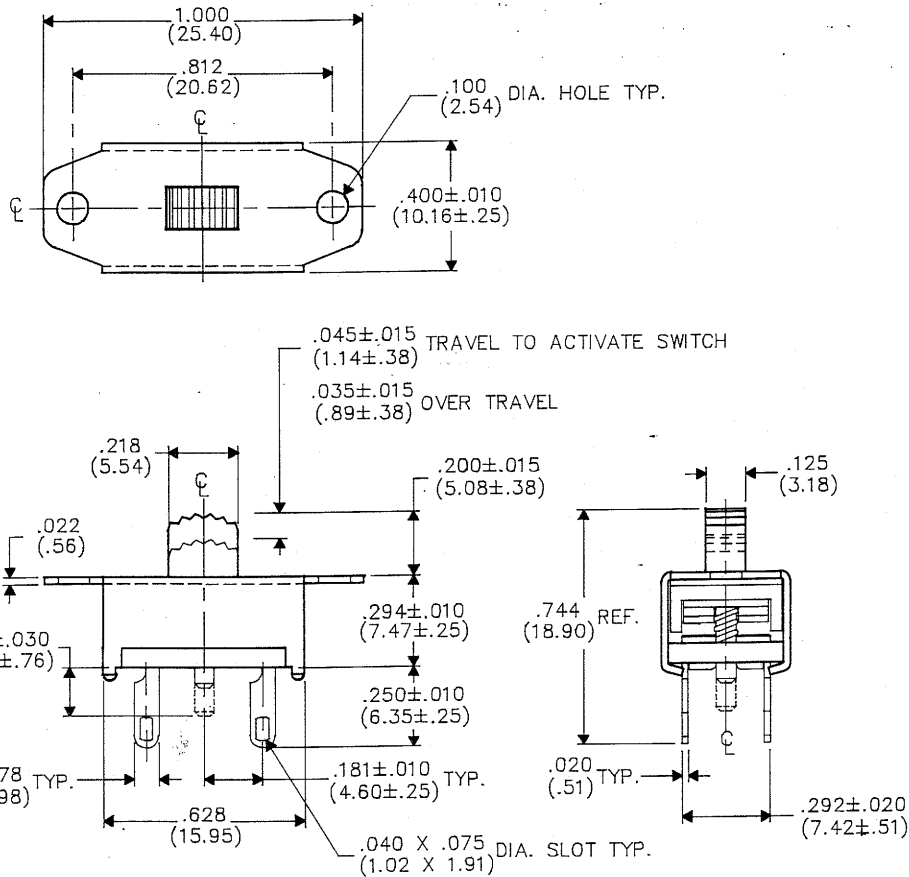


InActive

DIMENSIONS IN INCHES (MILLIMETERS)
DO NOT SCALE DRAWING...

Drawing No. G-223-0021



REVISIONS

Q	
RELEASED	
SPR 1-28-93	
JJK	

CW INDUSTRIES Southampton, Pa. 18966	
TOLERANCES UNLESS OTHERWISE SPECIFIED	
2 Place decimal ±.010	METRIC
3 Place decimal +.005	1 Place dec. ± .25 MM
Angles 1°	2 Place dec. ± .13 MM
Made for CW IND.	
Drawn by: SPR 1-28-93	
Checked by: G.G.L.S 1-29-93	
Approval: JJK 1-29-93	

Title	SWIDGET ASSEMBLY S.P.S.T. MOM. PUSH-BUTTON
Division	SWITCH
Drawing No.	G-223-0021