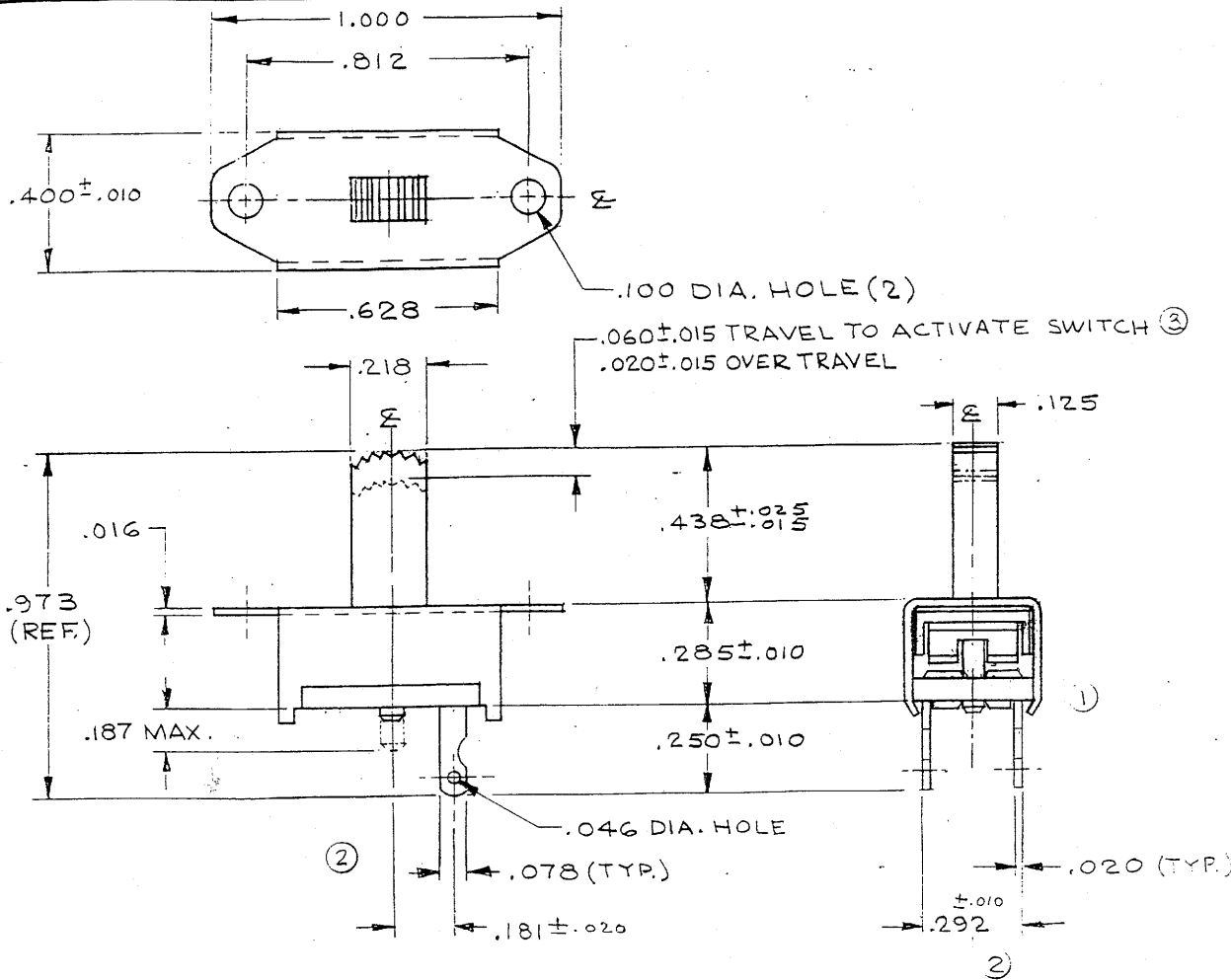


G-223-0002



DIMENSIONS ARE IN INCHES. DO NOT SCALE DRAWING.

REVISIONS	DATE	BY	DESCRIPTION
0	11/15/73	J.V.	END VIEW & C.V.D. ADDED. PUSH (REV.) J.V. 11-30-73
1	1-10-74	J.V.	SEC 3
2	1-31-74	J.V.	REV'D. TERMINALS LOCATION J.V. 1-31-74
3	4-2-74	J.V.	ADDED TO ACTUATING SWITCH. J.V. 4-2-74

PDF File Made	VARIATIONS ON FINISHED DIMENSIONS UNLESS OTHERWISE MARKED	SWIDGET (MOMENTARY ACTION) PUSH BUTTON FIRST MADE FOR 7931-58 HTIN 88 DRAWN BY J.V. DATE DRAWN 11-5-73 CHECKED BY J.V.
	TOLERANCES UNLESS OTHERWISE SPECIFIED	
	2 PLACE DECIMAL ± .010	
	3 PLACE DECIMAL ± .005	
FRACTIONS ± 1/64	ANGULAR DIMENSIONS ± 1/2°	
GW INDUSTRIES WARMINSTER, PA. 18974		G-223-0002