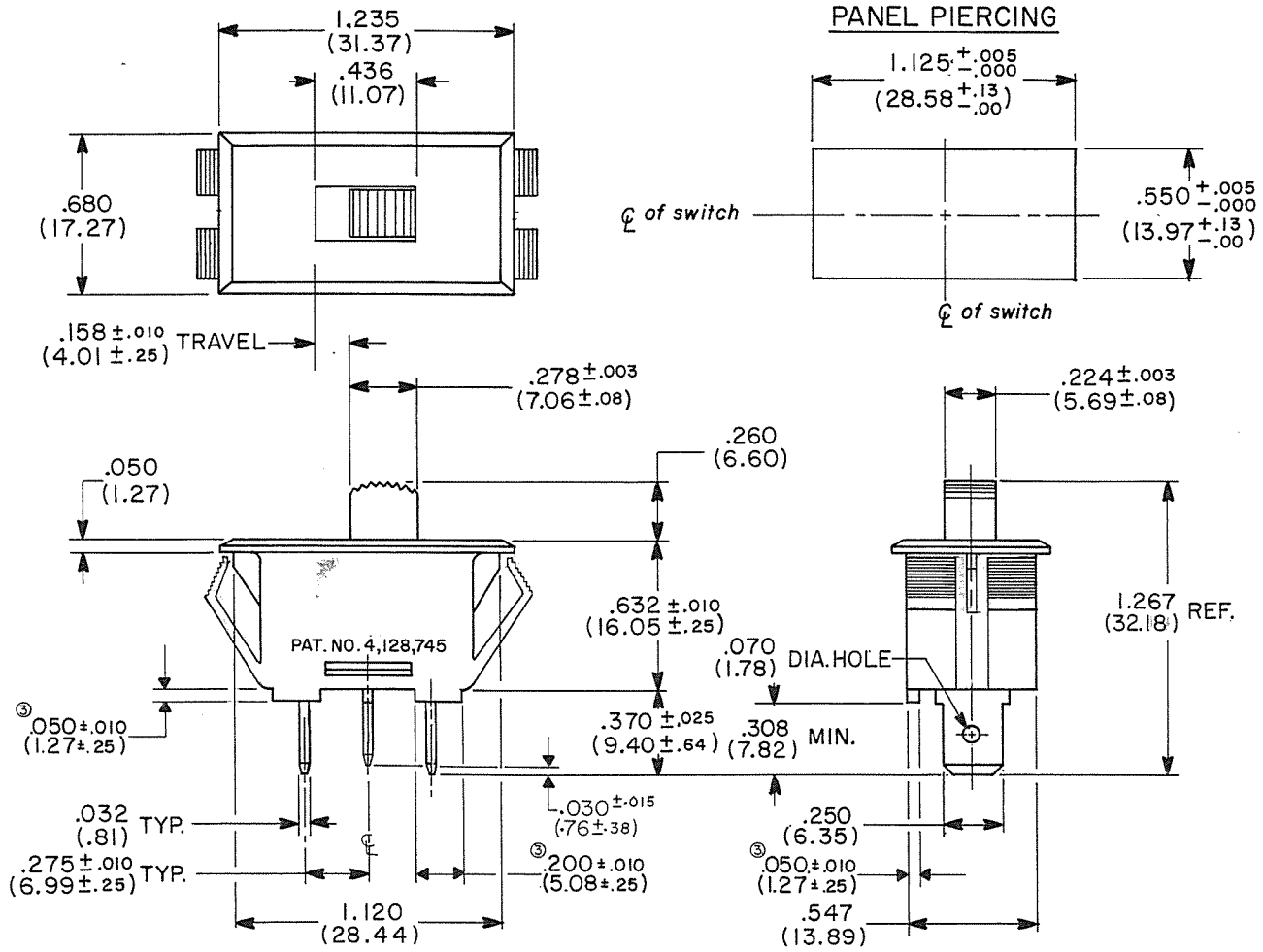


DIMENSIONS IN INCHES (METRIC-MILLIMETERS)
DO NOT SCALE DRAWING.

Drawing Number
G-2012-0000

PANEL PIERCING



REVISED LEGS	REVISED LEGS	REVISED LEGS
1 B.D. 7-8-85 JUL 9 1985	2 370 ± .025 was 360 ± .015 308 was 310, added .030 1.015 deleted, 300 mm, 10-2-86 C. G. P.	3 ADDED TABS AND DIM. MAY 19 89 NOV 9 1989

ATTENTION
THIS DRAWING AND ITS ATTACHMENT, IF ANY, ARE PROPRIETARY TO CW INDUSTRIES AND DESCRIBE DESIGNS THAT ARE CONFIDENTIAL AND MUST NOT BE DISCLOSED UNLESS AUTHORIZED, IN WRITING, BY AN OFFICER OF CW INDUSTRIES.....

CW INDUSTRIES Southampton, Pa. 18966	
TOLERANCES UNLESS OTHERWISE SPECIFIED	
2 Place decimal ± .010	METRIC
3 Place decimal ± .005	1 Place dec. ± .25MM
Angles ± 1°	2 Place dec. ± .13MM
Made for CW	
Drawn by K.GOGOLIN	7-9-82
Checker <i>JK</i>	
Eng. appr. <i>JK</i>	<i>JK</i>

SNAP IN SLIDE SWITCH ASSEMBLY S.P.D.T.	
Division	SWITCH
Drawing Number	G-2012-0000

MASTER