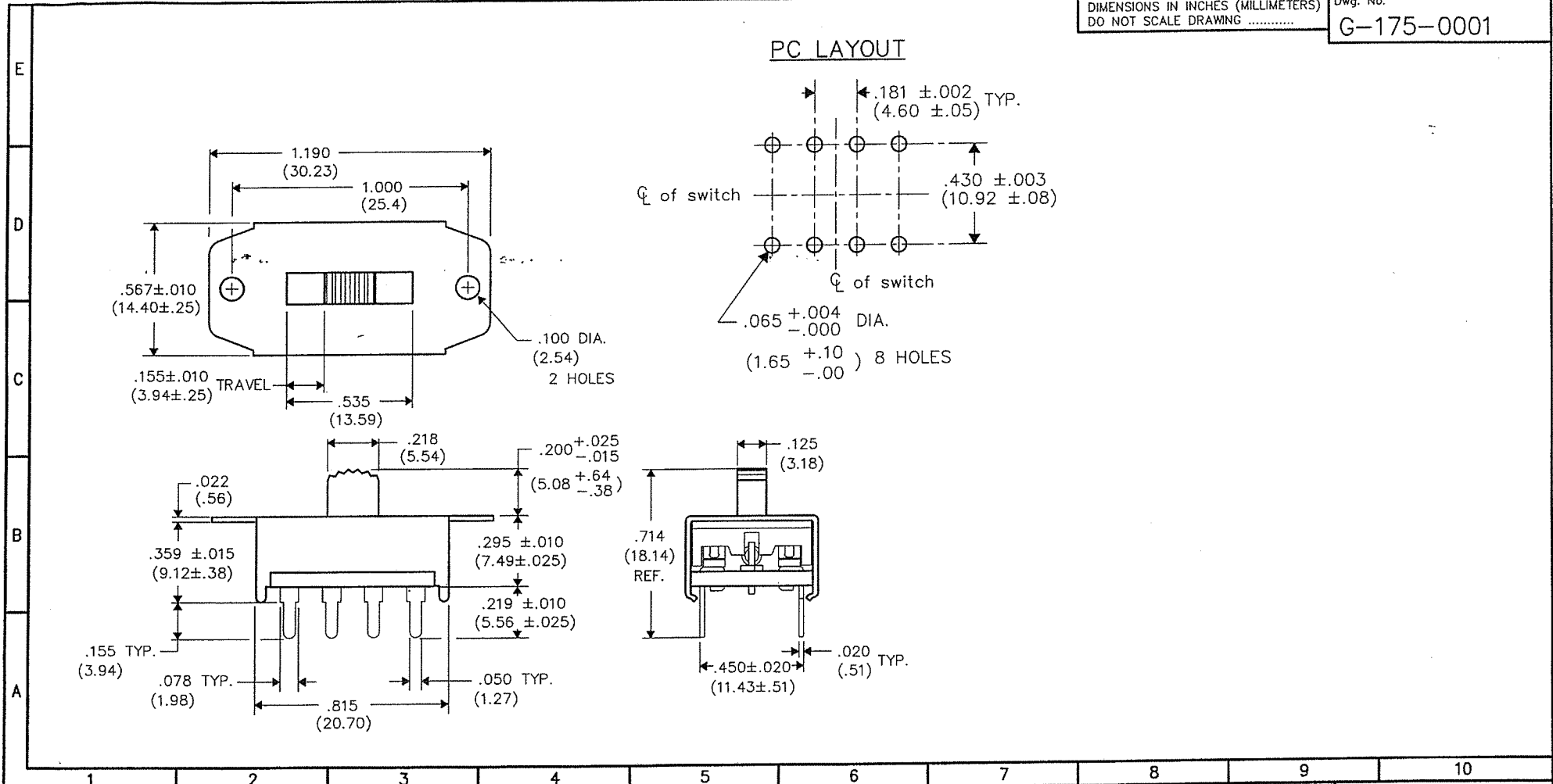
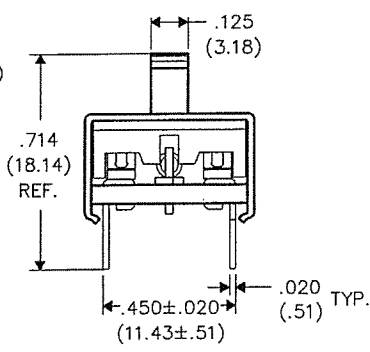
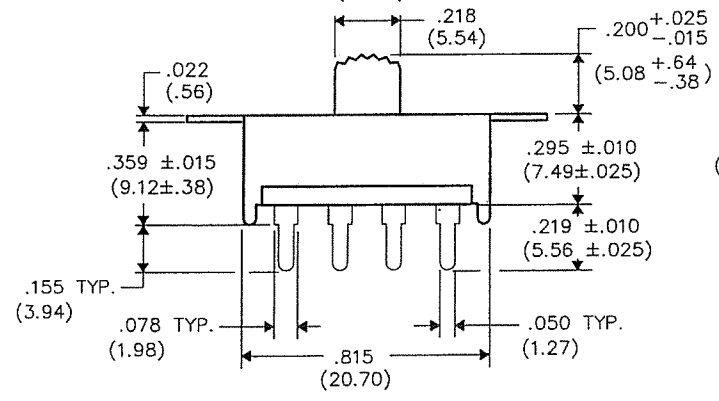
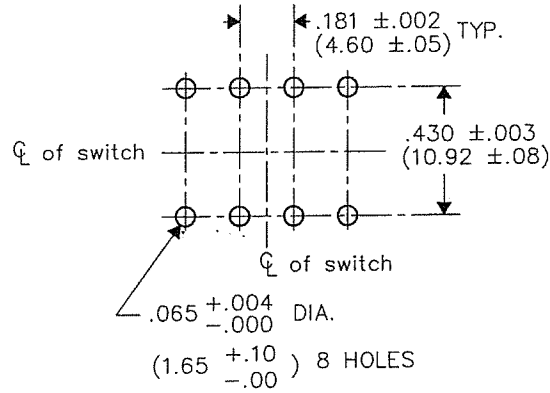
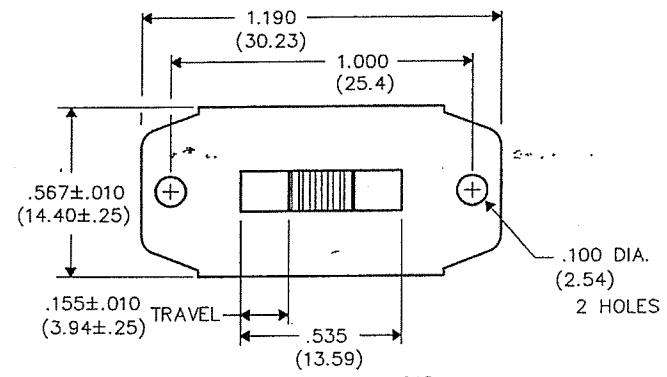


DIMENSIONS IN INCHES (MILLIMETERS)
DO NOT SCALE DRAWING

Dwg. No.
G-175-0001

PC LAYOUT



B-FORMAT 2002
REVISIONS
RELEASED
DCW 1-17-2006
JAN 31 2006

ATTENTION
THIS DRAWING AND ITS ATTACHMENTS, IF ANY, ARE PROPRIETARY TO CW INDUSTRIES AND DESCRIBE DESIGNS THAT ARE CONFIDENTIAL AND MUST NOT BE DISCLOSED UNLESS AUTHORIZED, IN WRITING, BY AN OFFICER OF CW INDUSTRIES.....

CW INDUSTRIES
Southampton, Pa. 18966

TOLERANCES UNLESS OTHERWISE SPECIFIED	
2 Place Decimal ±.010	METRIC
3 Place Decimal ±.005	1 Place Dec. ±.25mm
Angles ±1'	2 Place Dec. ±.13mm

Made for: CW IND.
Drawn by: DGW 1-17-2006
Checked by: G. Guld 1/31/06
Approval: [Signature] 1/31/06

Title: **SWIDGET™**
D.P. -3 POS. SR

Division: **SWITCH**

Dwg. No. **G-175-0001**