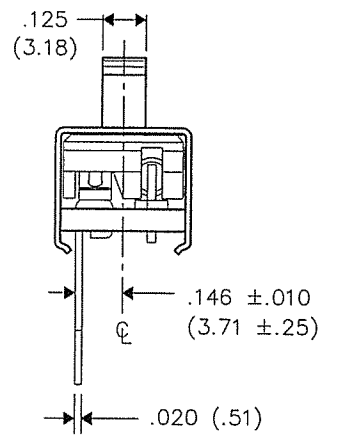
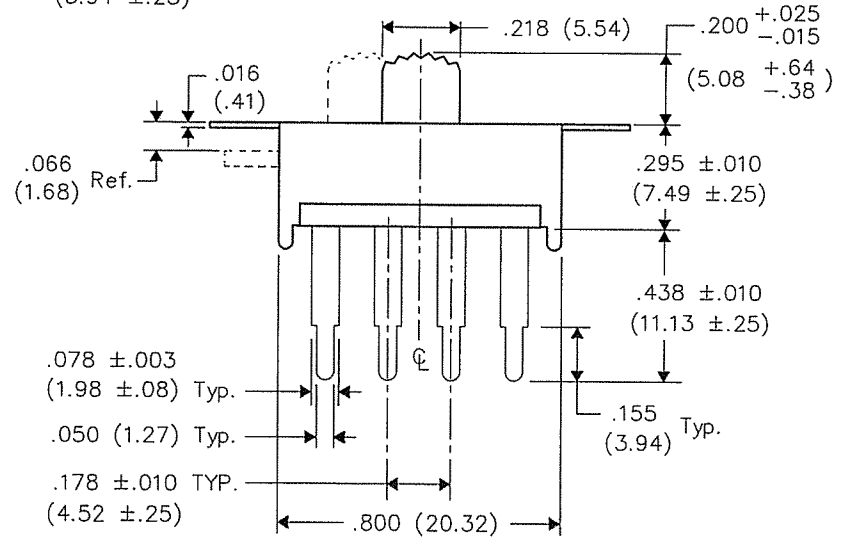
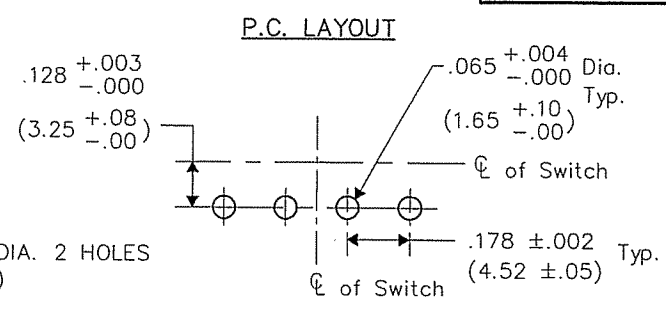
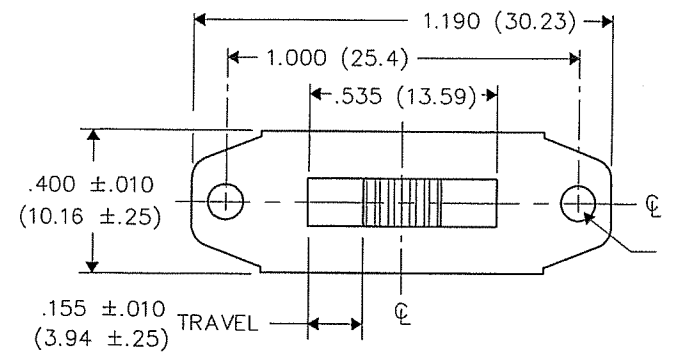


F
 D
 C
 B
 A

DIMENSIONS IN INCHES (MILLIMETERS)
 DO NOT SCALE DRAWING
 Dwg. No. **G-173-0014**



B-FORMAT 2002	0								
	REVISIONS RELEASED: DGW 5-16-17								

PDF MADE	CW INDUSTRIES Southampton, Pa. 18966	Title: SLIDE SWITCH ASSEMBLY S.P. / 3P
	TOLERANCES UNLESS OTHERWISE SPECIFIED	Division: SWITCH
	2 Place Decimal ±.010 METRIC 3 Place Decimal ±.005 1 Place Dec. ±.25mm Angles ±1' 2 Place Dec. ±.13mm	Dwg. No. G-173-0014
	Made for: CW IND. Drawn by: DGW 5-16-17 Checked by: <i>G. GULD 5-16-17</i> Approval: <i>Ch... (12/17)</i>	