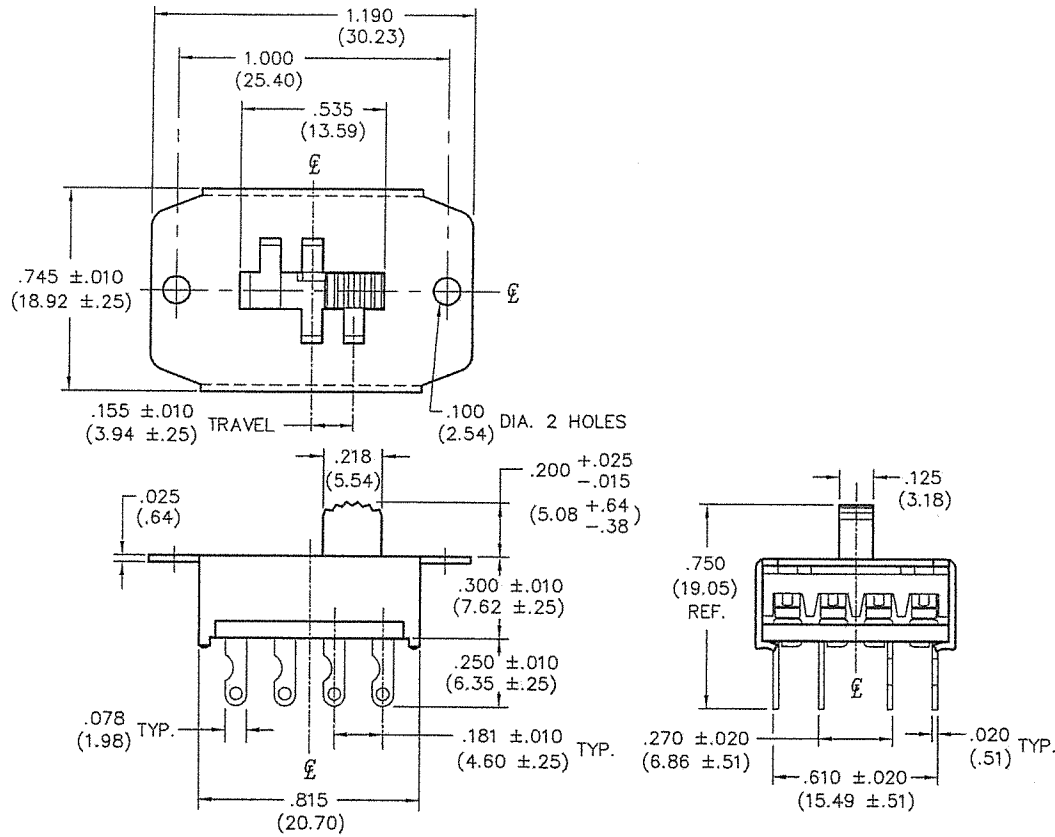


DIMENSIONS IN INCHES (MILLIMETERS)
DO NOT SCALE DRAWING

Dwg. No.
G-169S-0000



F
D
C
B
A

THIS INFORMATION IS CONFIDENTIAL AND PROPRIETARY TO CW INDUSTRIES INCORPORATED AND ITS AFFILIATES. IT MAY NOT BE DISCLOSED TO ANYONE OTHER THAN CW INDUSTRIES PERSONNEL, WITHOUT WRITTEN AUTHORIZATION FROM CW INDUSTRIES INCORPORATED, SOUTHAMPTON, PENNSYLVANIA USA.

1 2 3 4 5 6 7 8 9 10

B-FORMAT 2002	REVISIONS	RELEASED: 5-23-17 DGW MAY 23 2017

PDF MADE	CW INDUSTRIES Southampton, Pa. 18966	Title: MINI SLIDE SWITCH ASSEMBLY 4P/3POS
	TOLERANCES UNLESS OTHERWISE SPECIFIED: 2 Place Decimal ±.010 METRIC 3 Place Decimal ±.005 1 Place Dec. ±.25mm Angles ±1' 2 Place Dec. ±.13mm	Division: SWITCH
	Made for: CW IND.	Dwg. No. G-169S-0000
	Drawn by: DGW 5-23-17 Checked by: G. Gold 5-23-17 Approval: [Signature] 5/23/17	

MASTER