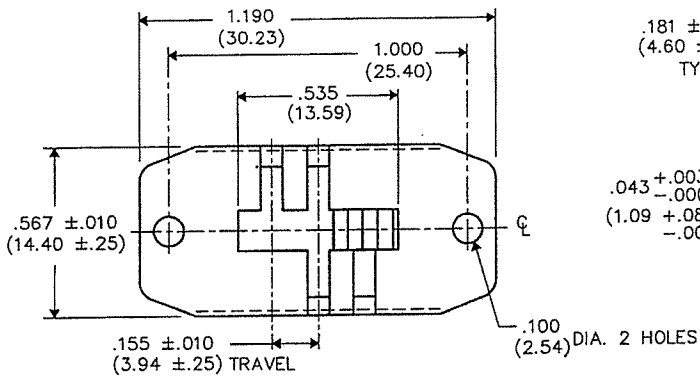
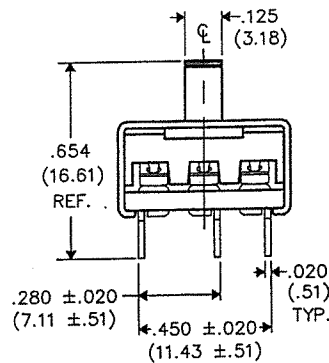
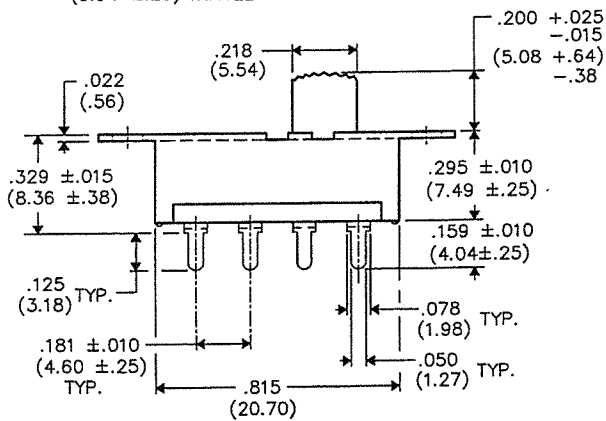
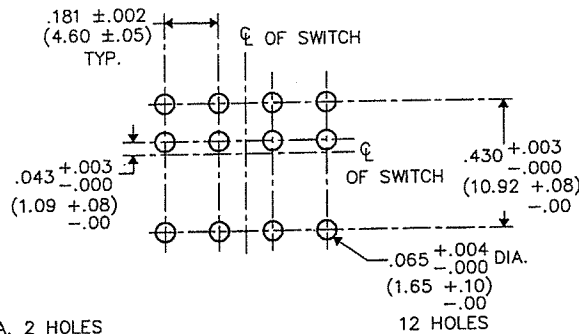


DIMENSIONS IN INCHES (MILLIMETERS)
DO NOT SCALE DRAWING

Dwg. No.
G-168S-0049



P.C. LAYOUT



B-FORMAT 2002

REVISIONS

0
RELEASED:
DCW
2-14-2007
FEB 19 2007

ATTENTION
THIS DRAWING AND ITS ATTACHMENTS, IF ANY, ARE PROPRIETARY TO CW INDUSTRIES AND DESCRIBE DESIGNS THAT ARE CONFIDENTIAL AND MUST NOT BE DISCLOSED UNLESS AUTHORIZED, IN WRITING, BY AN OFFICER OF CW INDUSTRIES.....

CW INDUSTRIES
Southampton, Pa. 18966

TOLERANCES UNLESS OTHERWISE SPECIFIED
2 Place Decimal ±.010 METRIC
3 Place Decimal ±.005 1 Place Dec. ±.25mm
Angles ±1' 2 Place Dec. ±.13mm

Made for: CW IND.
Drawn by: DGW 2-14-2007
Checked by: G. Buld 2-15-07
Approval: P. Kelly 2-17-07

Title: SWITCH ASSEMBLY 3P/3 POS.

Division: SWITCH

Dwg. No. G-168S-0049