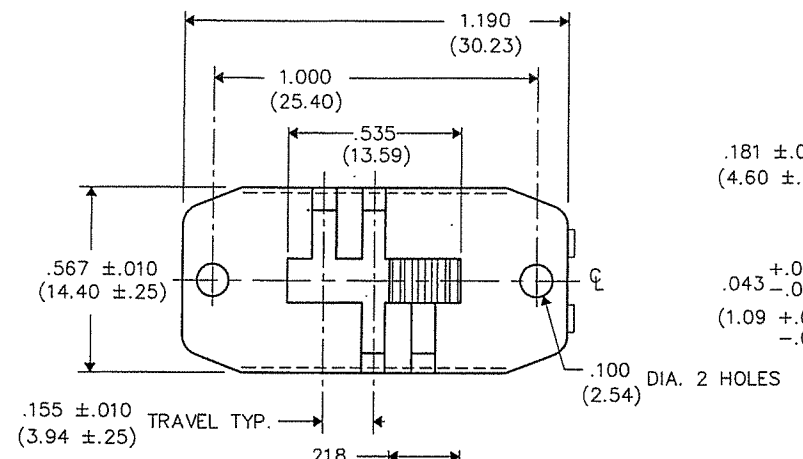
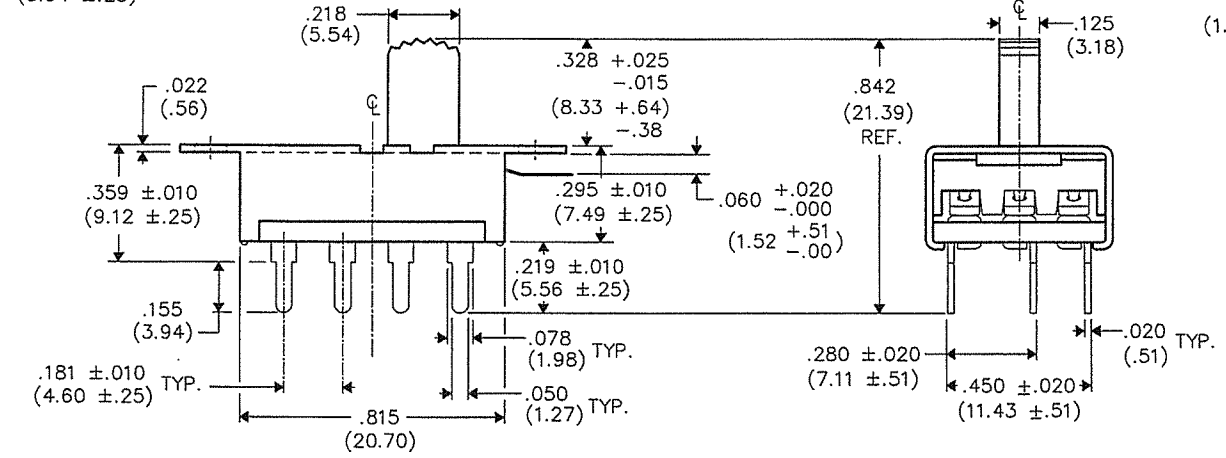
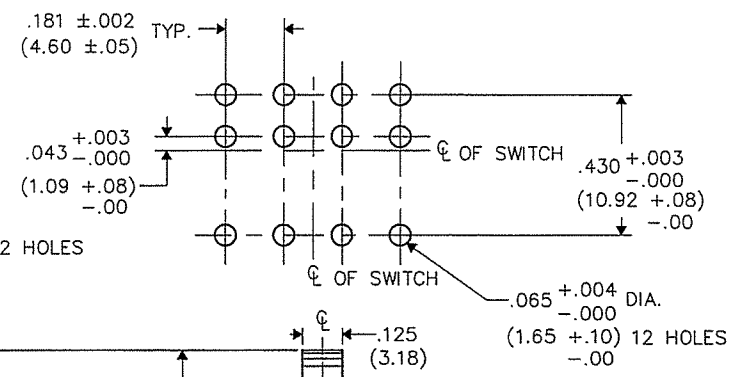


DIMENSIONS IN INCHES (MILLIMETERS)
DO NOT SCALE DRAWING

Dwg. No.
G-168L-0016



P.C. LAYOUT



F
D
C
B
A
 THIS INFORMATION IS CONFIDENTIAL AND PROPRIETARY TO CW INDUSTRIES INCORPORATED AND ITS AFFILIATES. IT MAY NOT BE DISCLOSED TO ANYONE, OTHER THAN CW INDUSTRIES PERSONNEL, WITHOUT WRITTEN AUTHORIZATION FROM CW INDUSTRIES INCORPORATED, SOUTHAMPTON, PENNSYLVANIA USA.

1	2	3	4	5	6	7	8	9	10
---	---	---	---	---	---	---	---	---	----

B-FORMAT 2002

REVISIONS

RELEASED
DCW 5-17-17
[Signature]

PDF MADE	CW INDUSTRIES Southampton, Pa. 18966		Title: MINIATURE SLIDE SWITCH ASSEMBLY 3 POLE / 3POS.
	TOLERANCES UNLESS OTHERWISE SPECIFIED		
	2 Place Decimal ±.010	METRIC	
	3 Place Decimal ±.005	1 Place Dec. ±.25mm	2 Place Dec. ±.13mm
Angles ±1°		Made for: CW IND.	Division: SWITCH
Checked by: <i>G. GULD</i> 5-18-17		Drawn by: DGW 5-17-17	Dwg. No. G-168L-0016
Approval: <i>C. H. [Signature]</i> 5/18/17			