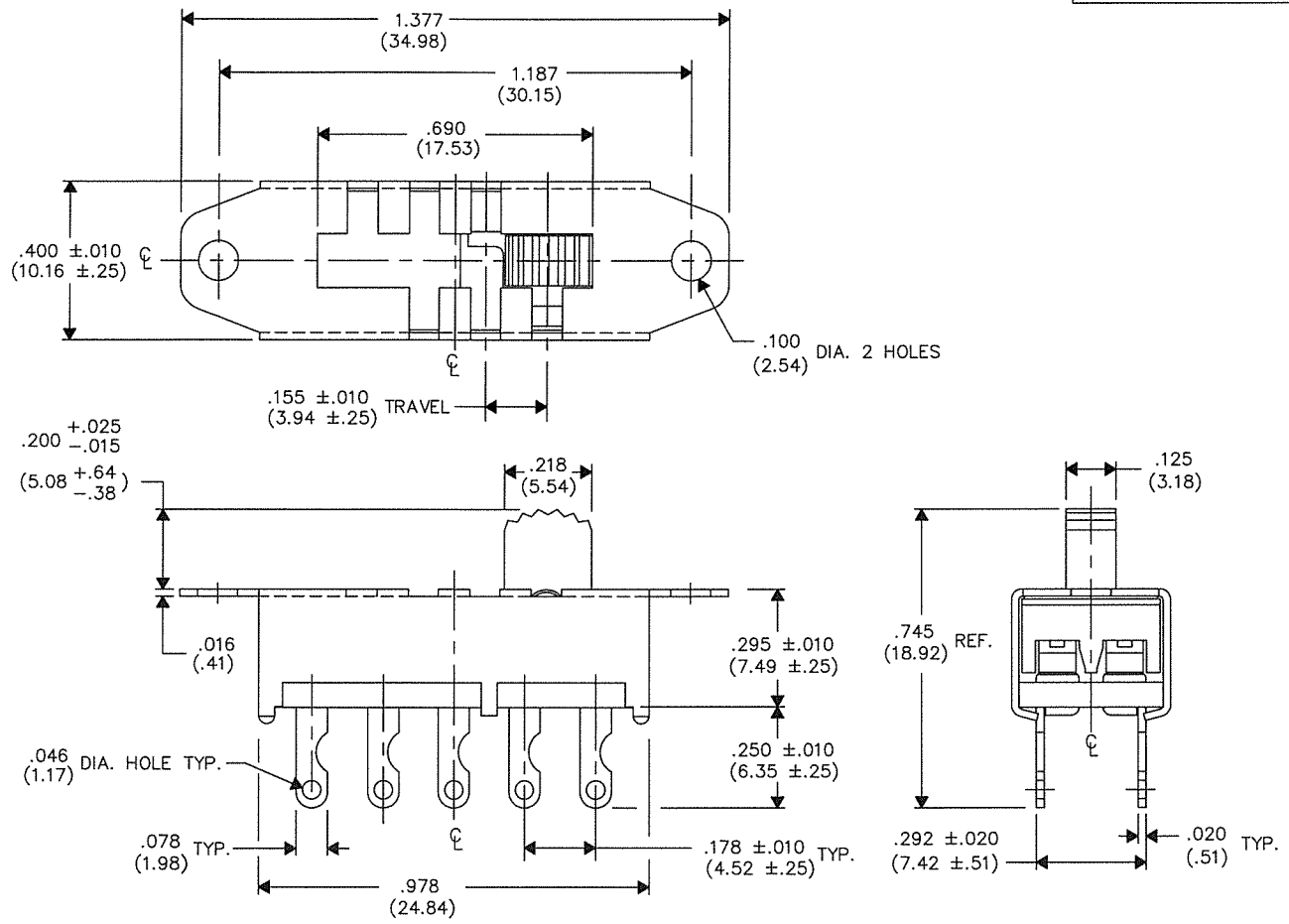


DIMENSIONS IN INCHES (MILLIMETERS)
DO NOT SCALE DRAWING

Dwg. No.
G-141S-3011



ATTENTION
THIS DRAWING AND ITS ATTACHMENTS, IF ANY, ARE PROPRIETARY TO CW INDUSTRIES AND DESCRIBE DESIGNS THAT ARE CONFIDENTIAL AND MUST NOT BE DISCLOSED UNLESS AUTHORIZED, IN WRITING, BY AN OFFICER OF CW INDUSTRIES.....

CW INDUSTRIES
Southampton, Pa. 18966

TOLERANCES UNLESS OTHERWISE SPECIFIED
2 Place decimal $\pm .010$ METRIC
3 Place decimal $\pm .005$ 1 Place dec. $\pm .25$ mm
Angles $\pm 1^\circ$ 2 Place dec. $\pm .13$ mm

Made for: CW IND.
Drawn by: DGW 12-13-94
Checked by: GG 12-15-94
Approval: CH 12-15-94

Title:
SWIDGET ASSEMBLY
D.P.- 4 POS.

Division: SWITCH

Dwg. No.
G-141S-3011

FORM-B
REVISIONS
0
RELEASED 12-13-94
DCW 12-15-94
CH 12-15-94