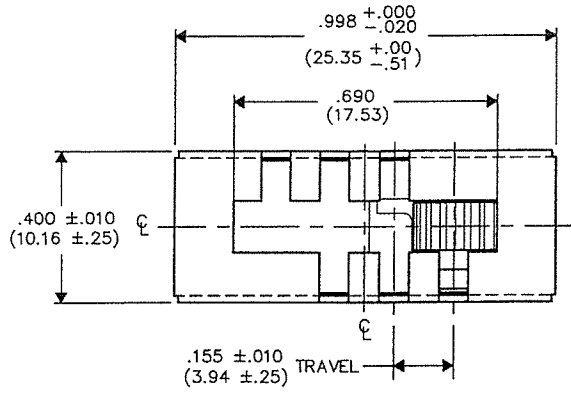


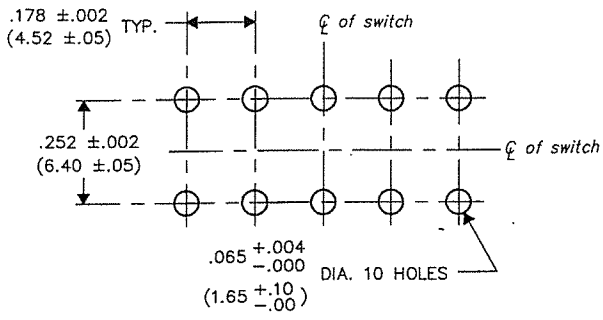
DIMENSIONS IN INCHES (MILLIMETERS)
DO NOT SCALE DRAWING

Dwg. No.
G-141S-0073

E
D
C
B
A

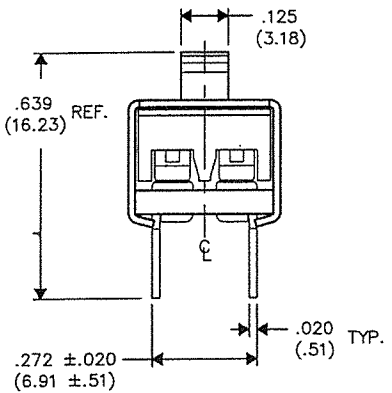
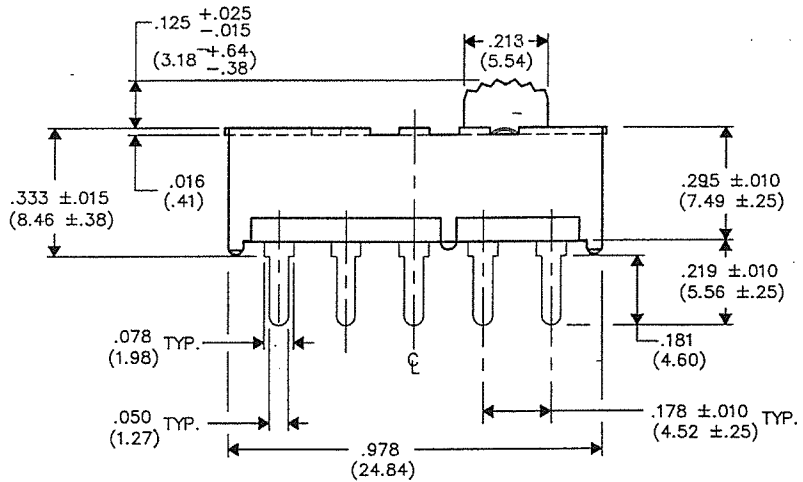


P.C. LAYOUT



NOTE:

1. Dimensions shown in () are in millimeters.



1 2 3 4 5 6 7 8 9 10

B-FORMAT 2002
REVISIONS
O
RELEASED: 3-05-2009
DGW
MAR 09 2009

ATTENTION
THIS DRAWING AND ITS ATTACHMENTS, IF ANY, ARE PROPRIETARY TO CW INDUSTRIES AND DESCRIBE DESIGNS THAT ARE CONFIDENTIAL AND MUST NOT BE DISCLOSED UNLESS AUTHORIZED, IN WRITING, BY AN OFFICER OF CW INDUSTRIES.....

CW INDUSTRIES
Southampton, Pa. 18966
TOLERANCES UNLESS OTHERWISE SPECIFIED
2 Place Decimal ±.010 METRIC
3 Place Decimal ±.005 1 Place Dec. ±.25mm
Angles ±1° 2 Place Dec. ±.13mm

Title: **SWIDGET ASSEMBLY**
D.P.- 4 POS.
P.C.

Made for: CW IND.
Drawn by: DGW 3-05-2009
Checked by: G.Guld 3-6-09
Approval: G.Guld 3-6-09

Division: **SWITCH**
Dwg. No. **G-141S-0073**

MASTER