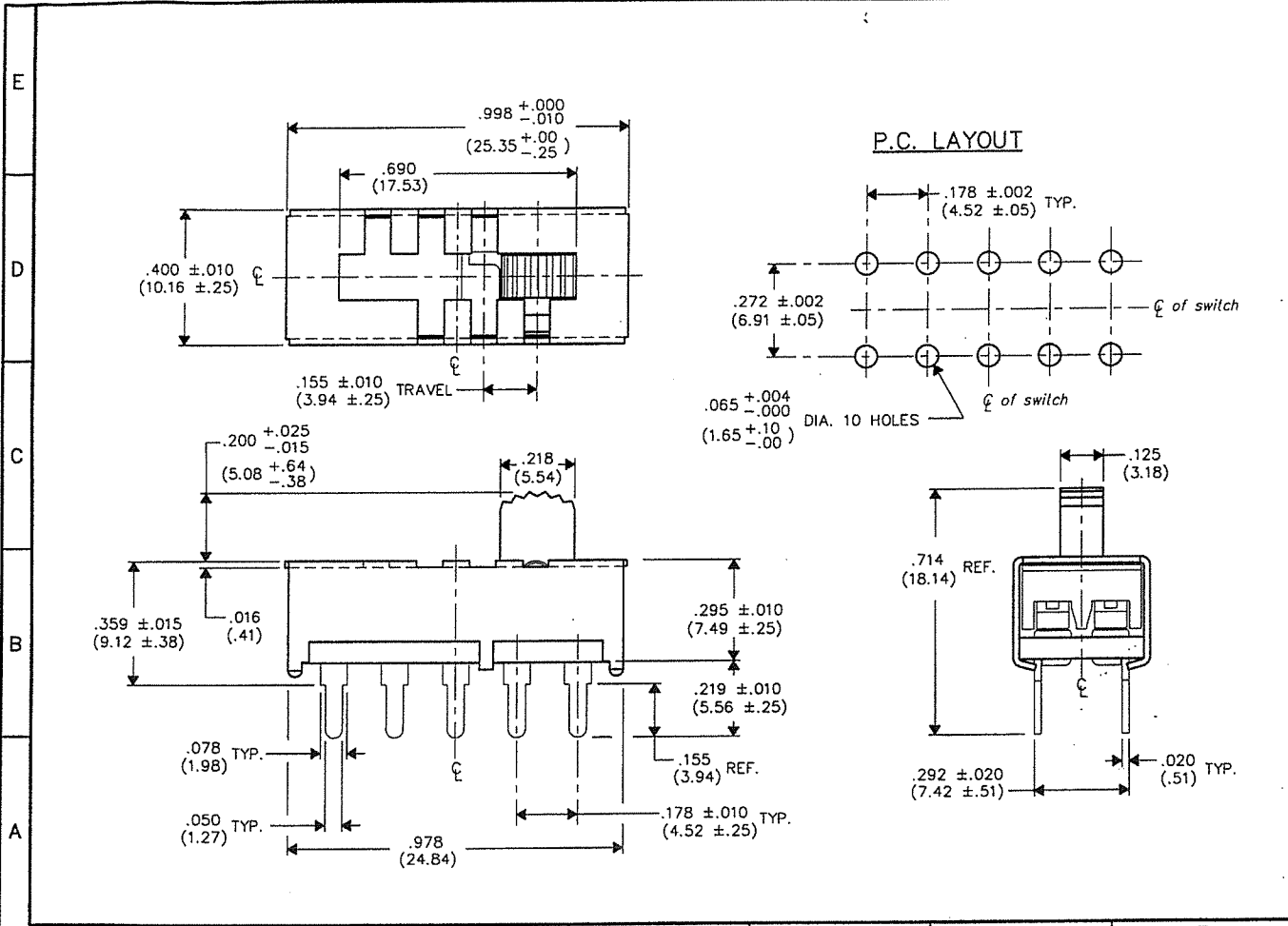


DIMENSIONS IN INCHES (MILLIMETERS)
DO NOT SCALE DRAWING

Dwg. No.
G-141S-0060

NOTE:

1. DIMENSIONS SHOWN IN () ARE IN MILLIMETERS.



ATTENTION

THIS DRAWING AND ITS ATTACHMENTS, IF ANY, ARE PROPRIETARY TO CW INDUSTRIES AND DESCRIBE DESIGNS THAT ARE CONFIDENTIAL AND MUST NOT BE DISCLOSED UNLESS AUTHORIZED, IN WRITING, BY AN OFFICER OF CW INDUSTRIES.....

1	2	3	4	5	6	7	8	9	10
---	---	---	---	---	---	---	---	---	----

FORM-B4
REVISIONS
RELEASED
DCW 5-23-2001

MASTER

CW INDUSTRIES
Southampton, Pa. 18966

TOLERANCES UNLESS OTHERWISE SPECIFIED:

2 Place Decimal ±.010	METRIC
3 Place Decimal ±.005	1 Place Dec. ±.25mm
Angles ±1°	2 Place Dec. ±.13mm

Made for: CW IND.
Drawn by: DGW 5-23-2001
Checked by: G.Bud 5-31-01
Approval: [Signature]

Title: **SWIDGET ASSEMBLY**
D.P.- 4 POS.
RAD. KNURL

Division: **SWITCH**

Dwg. No. **G-141S-0060**