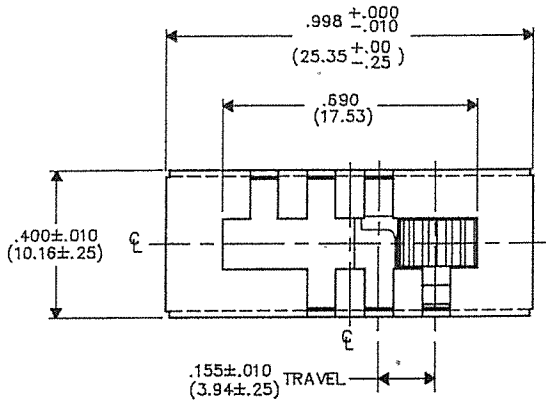
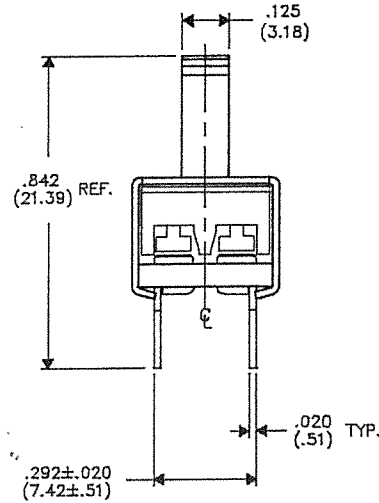
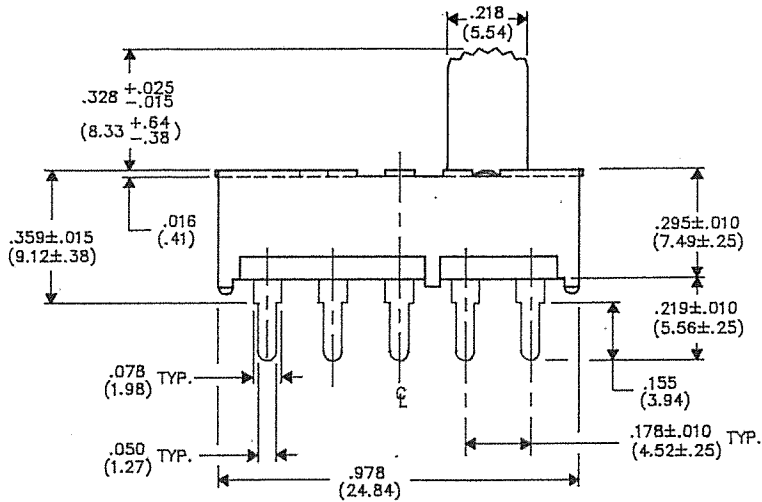
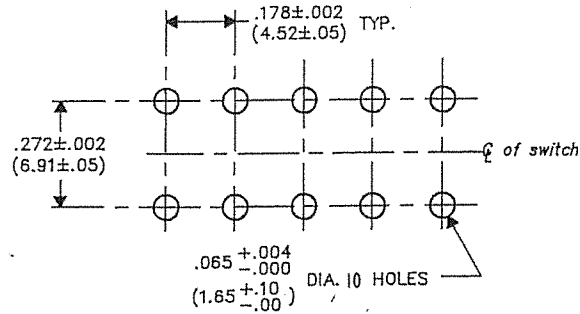


DIMENSIONS IN INCHES (MILLIMETERS)
DO NOT SCALE DRAWING...

Drawing No. **G-141S-0019**



P.C. LAYOUT



ATTENTION
THIS DRAWING AND ITS ATTACHMENTS, IF ANY, ARE PROPRIETARY TO CW INDUSTRIES AND DESCRIBE DESIGNS THAT ARE CONFIDENTIAL AND MUST NOT BE DISCLOSED UNLESS AUTHORIZED, IN WRITING, BY AN OFFICER OF CW INDUSTRIES.....

CW INDUSTRIES
Southampton, Pa. 18966

TOLERANCES UNLESS OTHERWISE SPECIFIED
2 Place decimal ±.010 METRIC
3 Place decimal ±.005 1 Place dec. ±.25 MM
Angles 1° 2 Place dec. ±.13 MM

Made for CW IND.
Drawn by SPR 1-20-93
Checked by G.GULB 1-22-93
Approval SPR 1-22-93

Title
**SWIDGET ASSEMBLY
D.P.-4 POS.
RAD. KNURL**

Division
SWITCH
Drawing No.
G-141S-0019

REVISIONS	
0	RELEASED SPR 1-20-93 JAN 22 1993
1	10 HOLES WAS 8 HOLES ON P.C.-LAYOUT. DGW 1-20-94 JAN 21 1994
2	REVISED DWG. BUTTON .328 WAS .200 ON FRONT VIEW & .842 WAS .714 ON SIDE VIEW. DGW 1-25-94 JAN 26 1994

MASTER MASTER