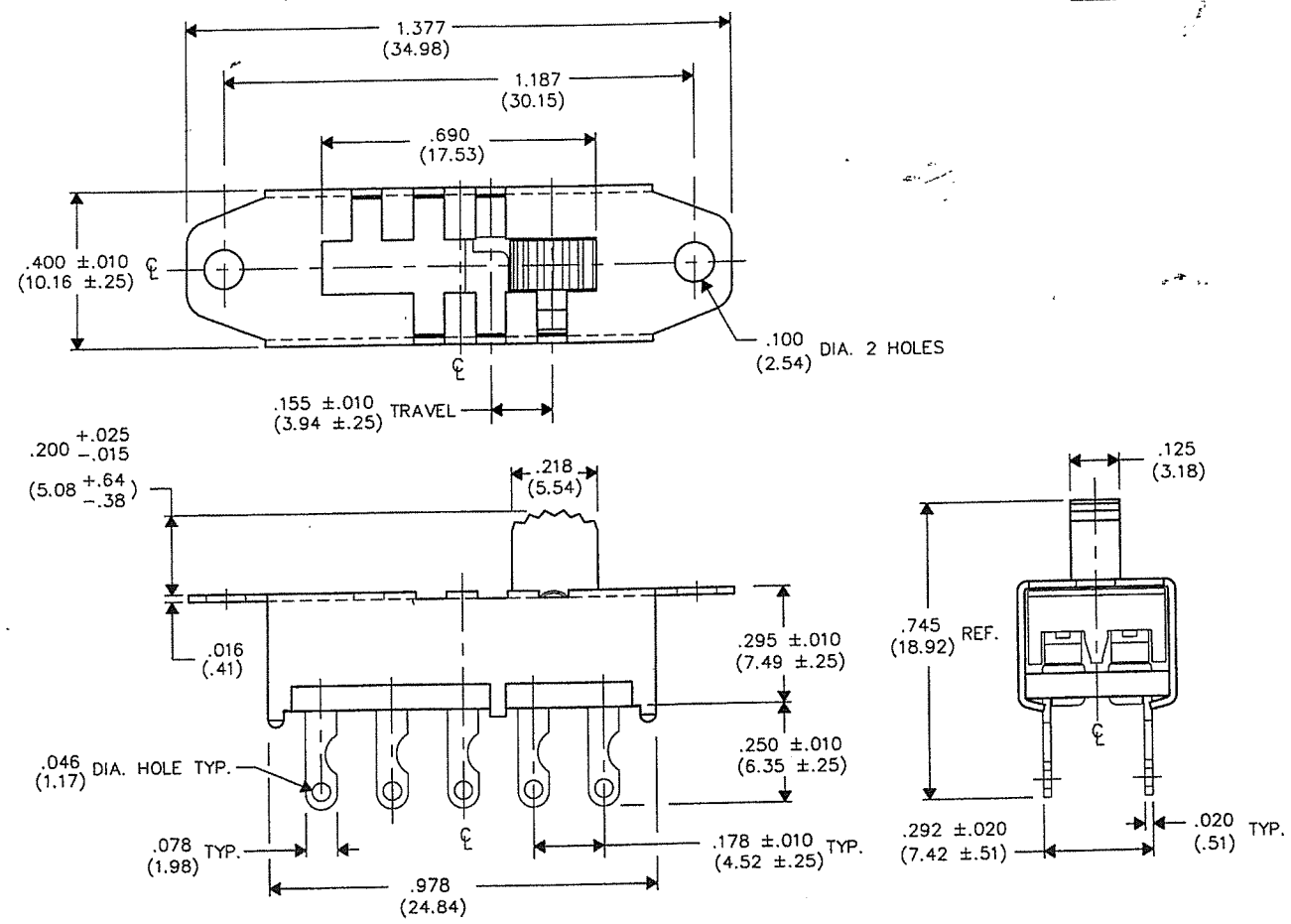


DIMENSIONS IN INCHES (MILLIMETERS)  
DO NOT SCALE DRAWING .....

Dwg. No. G-141S-0000



**ATTENTION**  
THIS DRAWING AND ITS ATTACHMENTS, IF ANY, ARE PROPRIETARY TO CW INDUSTRIES AND DESCRIBE DESIGNS THAT ARE CONFIDENTIAL AND MUST NOT BE DISCLOSED UNLESS AUTHORIZED, IN WRITING, BY AN OFFICER OF CW INDUSTRIES.....

**CW INDUSTRIES**  
Southampton, Pa. 18966

Title: SWIDGET  
D.P. - 4 POS.

TOLERANCES UNLESS OTHERWISE SPECIFIED  
2 Place decimal  $\pm$  .010 METRIC  
3 Place decimal  $\pm$  .005 1 Place dec.  $\pm$  .25mm  
Angles  $\pm$  1' 2 Place dec.  $\pm$  .13mm

Made for: CW IND.  
Drawn by: DGW 7-19-2001  
Checked by: G. Gold 7-24-01  
Approved: B. F. Lane on 7-27-01

Division: SWITCH  
Dwg. No. G-141S-0000

FORM-B  
REVISIONS  
B  
REDRAWN.  
DCW 7-19-2001

**MASTER**