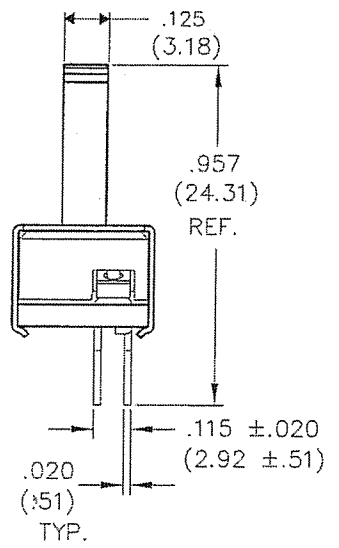
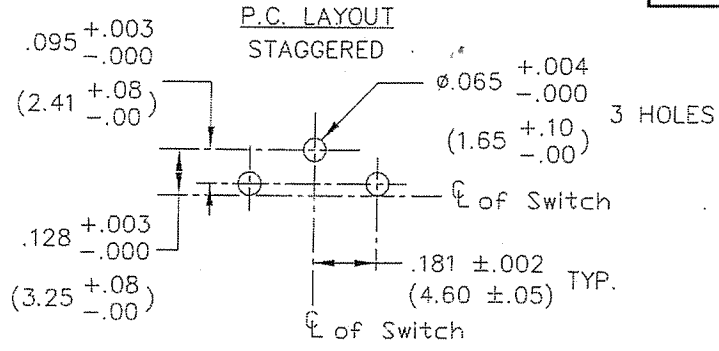
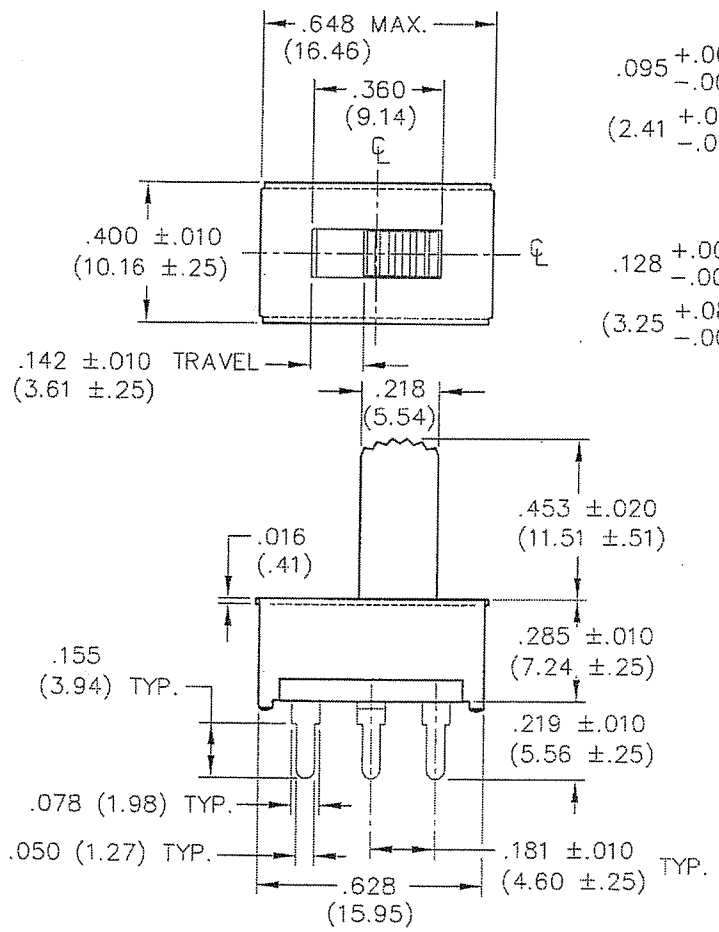


THIS INFORMATION IS CONFIDENTIAL AND PROPRIETARY TO CW INDUSTRIES INCORPORATED AND ITS AFFILIATES. IT MAY NOT BE DISCLOSED TO ANYONE OTHER THAN CW INDUSTRIES PERSONNEL, WITHOUT WRITTEN AUTHORIZATION FROM CW INDUSTRIES INCORPORATED, SOUTHAMPTON, PENNSYLVANIA, USA.

DIMENSIONS IN INCHES (MILLIMETERS)
 DO NOT SCALE DRAWING

Dwg. No. **G-133-0028**



1 2 3 4 5 6 7 8 9 10

| | | | |
|---------------|-----------|---|----------------------|
| B-FORMAT 2002 | REVISIONS | 0 | |
| | | 1 | 2-14-2017 G. Guld |

| | | | |
|------------------------------------|--|---------------------------------|--|
| PDF MADE | CW INDUSTRIES Southampton, Pa. 18966 | | Title: SWIDGET ASSEMBLY S.P./D.T. SPRING RETURN |
| | TOLERANCES UNLESS OTHERWISE SPECIFIED | | |
| | 2 Place Decimal $\pm .010$ | METRIC | |
| | 3 Place Decimal $\pm .005$ | 1 Place Dec. $\pm .25\text{mm}$ | |
| | Angles $\pm 1'$ | 2 Place Dec. $\pm .13\text{mm}$ | |
| Made for: CW IND. | Division: SWITCH | | |
| Drawn by: DGW 2-14-2017 | Dwg. No. G-133-0028 | | |
| Checked by: <i>G. Guld 2-23-17</i> | | | |
| Approval: <i>G. Guld 2-23-17</i> | | | |

MASTER