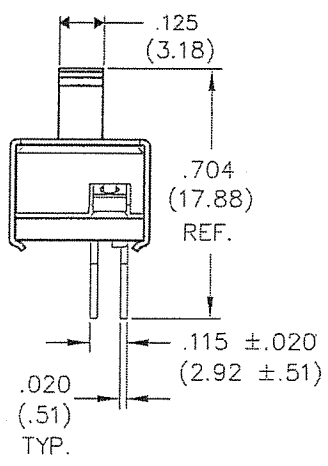
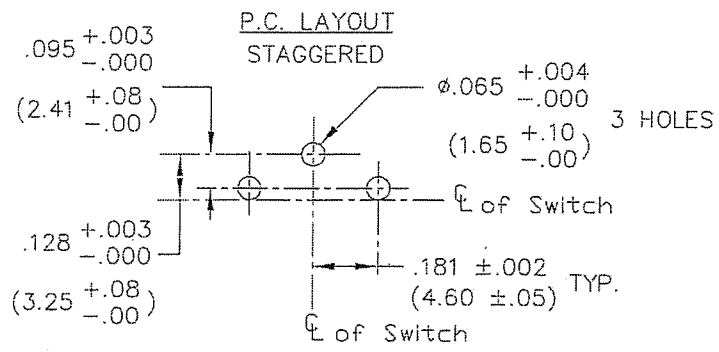
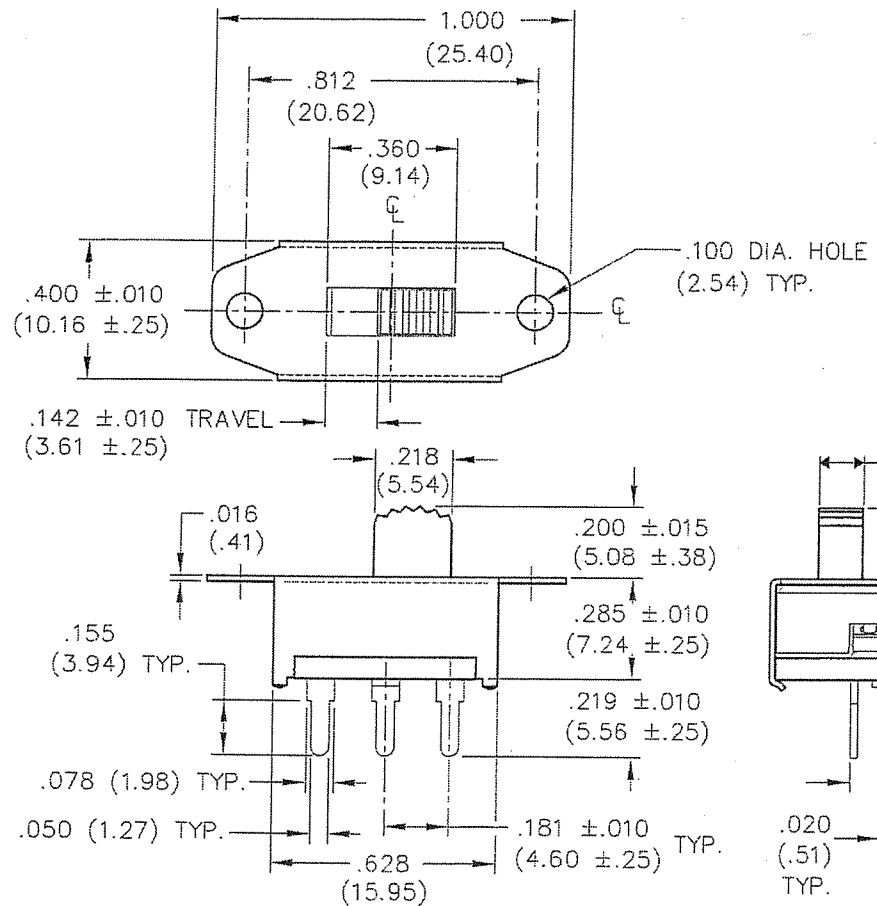


THIS INFORMATION IS CONFIDENTIAL AND PROPRIETARY TO CW INDUSTRIES INCORPORATED AND ITS AFFILIATES. IT MAY NOT BE DISCLOSED TO ANYONE, OTHER THAN CW INDUSTRIES PERSONNEL, WITHOUT WRITTEN AUTHORIZATION FROM CW INDUSTRIES INCORPORATED, SOUTHAMPTON, PENNSYLVANIA USA.

DIMENSIONS IN INCHES (MILLIMETERS)
 DO NOT SCALE DRAWING

Dwg. No.
G-133-0007



B-FORMAT 2002 REVISIONS RELEASED: DGW 2-13-2017 FEB 14 2017	1	2	3	4	5	6	7	8	9	10																															
	<table border="1" style="width: 100%; border-collapse: collapse;"> <tr> <td rowspan="3" style="writing-mode: vertical-rl; transform: rotate(180deg);"> PDF MADE </td> <td colspan="8"> CW INDUSTRIES Southampton, Pa. 18966 TOLERANCES UNLESS OTHERWISE SPECIFIED 2 Place Decimal ±.010 METRIC 3 Place Decimal ±.005 1 Place Dec. ±.25mm Angles ±1" 2 Place Dec. ±.13mm </td> <td colspan="2"> Title: SWIDGET ASSEMBLY S.P./D.T. SPRING RETURN </td> </tr> <tr> <td colspan="8"> Made for: CW IND. </td> <td colspan="2"> Division: SWITCH </td> </tr> <tr> <td colspan="8"> Drawn by: DGW 2-13-2017 Checked by: <i>G. Gold 2-14-17</i> Approval: <i>G. Gold 2-14-17</i> </td> <td colspan="2"> Dwg. No. G-133-0007 </td> </tr> </table>										PDF MADE	CW INDUSTRIES Southampton, Pa. 18966 TOLERANCES UNLESS OTHERWISE SPECIFIED 2 Place Decimal ±.010 METRIC 3 Place Decimal ±.005 1 Place Dec. ±.25mm Angles ±1" 2 Place Dec. ±.13mm								Title: SWIDGET ASSEMBLY S.P./D.T. SPRING RETURN		Made for: CW IND.								Division: SWITCH		Drawn by: DGW 2-13-2017 Checked by: <i>G. Gold 2-14-17</i> Approval: <i>G. Gold 2-14-17</i>								Dwg. No. G-133-0007	
	PDF MADE	CW INDUSTRIES Southampton, Pa. 18966 TOLERANCES UNLESS OTHERWISE SPECIFIED 2 Place Decimal ±.010 METRIC 3 Place Decimal ±.005 1 Place Dec. ±.25mm Angles ±1" 2 Place Dec. ±.13mm								Title: SWIDGET ASSEMBLY S.P./D.T. SPRING RETURN																															
		Made for: CW IND.								Division: SWITCH																															
Drawn by: DGW 2-13-2017 Checked by: <i>G. Gold 2-14-17</i> Approval: <i>G. Gold 2-14-17</i>								Dwg. No. G-133-0007																																	

MASTER