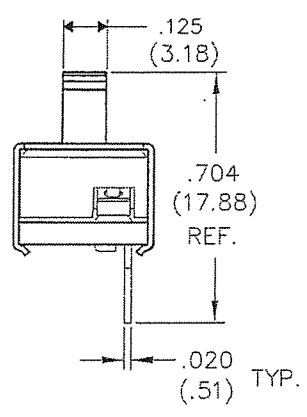
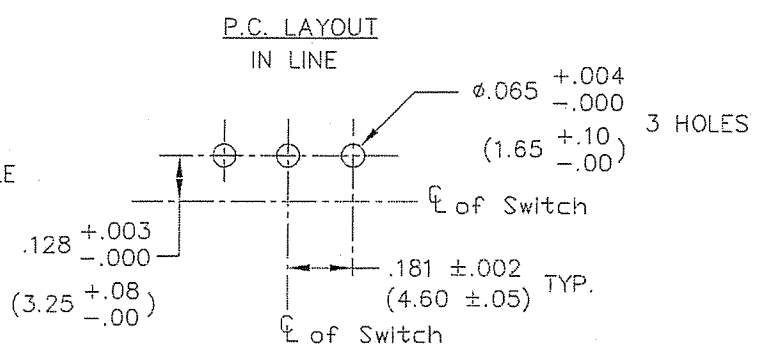
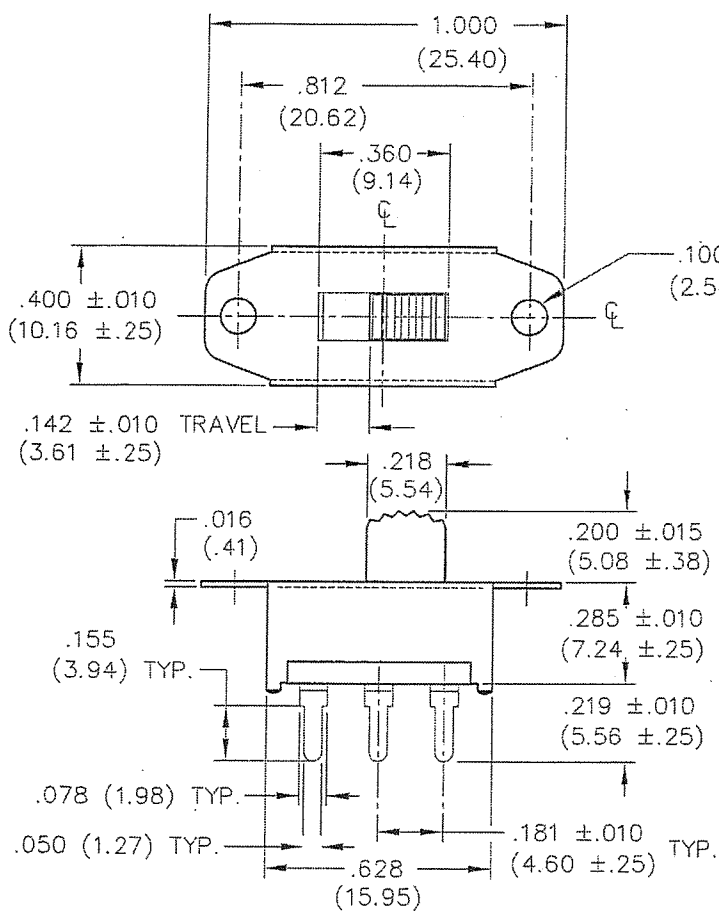


THIS INFORMATION IS CONFIDENTIAL AND PROPRIETARY TO CW INDUSTRIES INCORPORATED AND ITS AFFILIATES. IT MAY NOT BE DISCLOSED TO ANYONE OTHER THAN CW INDUSTRIES PERSONNEL, WITHOUT WRITTEN AUTHORIZATION FROM CW INDUSTRIES INCORPORATED, SOUTHAMPTON, PENNSYLVANIA USA.

DIMENSIONS IN INCHES (MILLIMETERS)  
 DO NOT SCALE DRAWING .....

Dwg. No.  
**G-133-0001**



1	2	3	4	5	6	7	8	9	10
---	---	---	---	---	---	---	---	---	----

E-FORMAT 2002 <b>REVISIONS</b> RELEASED: DCW 2-13-2017 FEB 14 2017	

<b>CW INDUSTRIES</b> Southampton, Pa. 18966	
TOLERANCES UNLESS OTHERWISE SPECIFIED	
2 Place Decimal ±.010 3 Place Decimal ±.005 Angles ..... ±1°	METRIC 1 Place Dec. ±.25mm 2 Place Dec. ±.13mm
Made for: CW IND.	
Drawn by: DGW 2-13-2017	
Checked by: <i>G. Guld 2-14-17</i>	
Approval: <i>G. Guld 2-14-17</i>	

Title: <b>SWIDGET          ASSEMBLY          S.P./D.T.          SPRING RETURN</b>
Division: <b>SWITCH</b>
Dwg. No. <b>G-133-0001</b>

MASTER