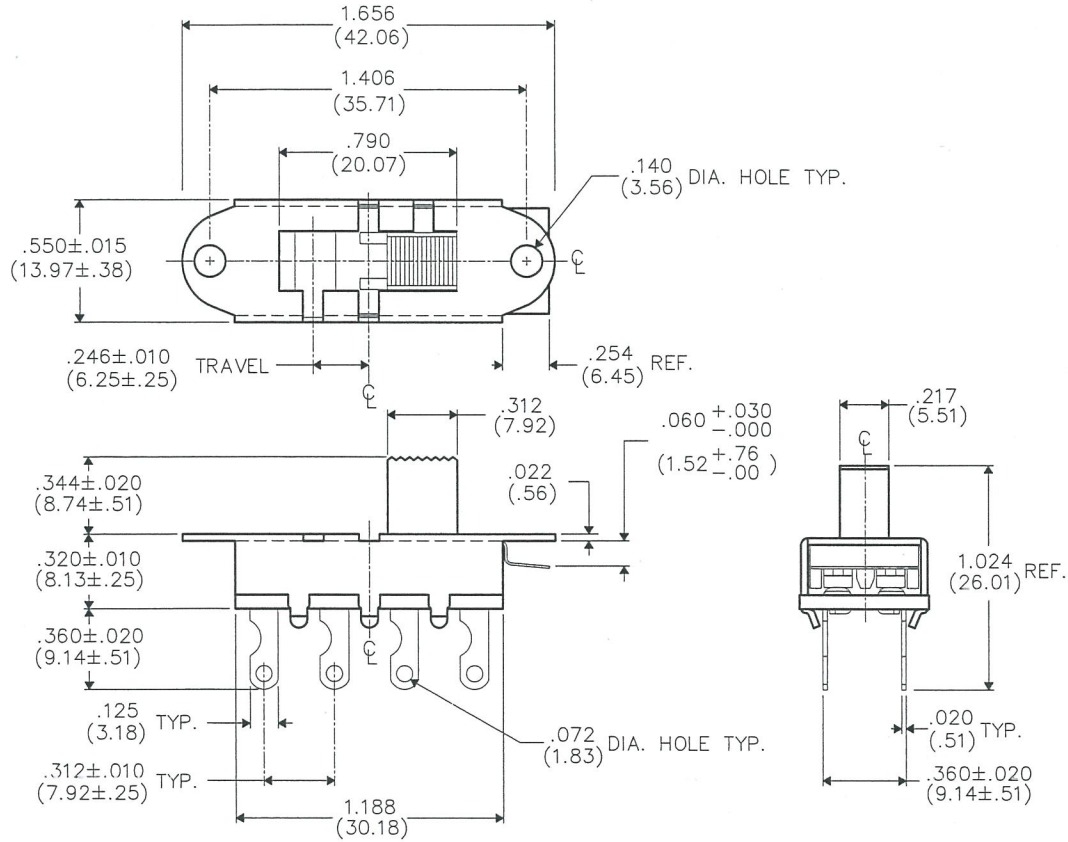


THIS INFORMATION IS CONFIDENTIAL AND PROPRIETARY TO CW INDUSTRIES INCORPORATED AND ITS AFFILIATES. IT MAY NOT BE DISCLOSED TO ANYONE OTHER THAN CW INDUSTRIES PERSONNEL, WITHOUT WRITTEN AUTHORIZATION FROM CW INDUSTRIES INCORPORATED, SOUTHAMPTON, PENNSYLVANIA USA.

DIMENSIONS IN INCHES (MILLIMETERS)
DO NOT SCALE DRAWING

Dwg. No.
G-1328L-0000



1	2	3	4	5	6	7	8	9	10
---	---	---	---	---	---	---	---	---	----

B-FORMAT 2002 REVISIONS RELEASED: 1-28-2016 DWG: JAN 20 2016	CW INDUSTRIES Southampton, Pa. 18966 TOLERANCES UNLESS OTHERWISE SPECIFIED 2 Place Decimal ±.010 METRIC 3 Place Decimal ±.005 1 Place Dec. ±.25mm Angles ±1' 2 Place Dec. ±.13mm						Title: SLIDE SWITCH ASSEMBLY D.P. - 3 POS.	
	Made for: CW IND.						Division: SWITCH	
	Drawn by: DGW 1-28-2016						Dwg. No. G-1328L-0000	
	Checked by: <i>G. GULD 1-28-16</i> Approval: <i>G. GULD 1-28-16</i>							

MASTER