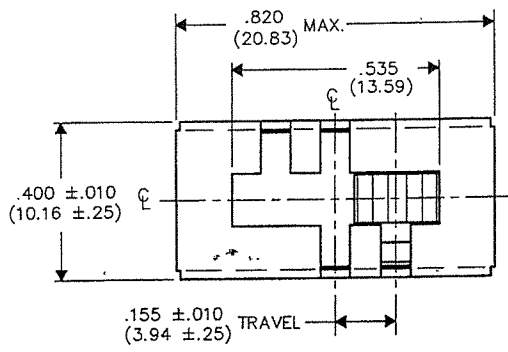


DIMENSIONS IN INCHES (MILLIMETERS)  
DO NOT SCALE DRAWING .....

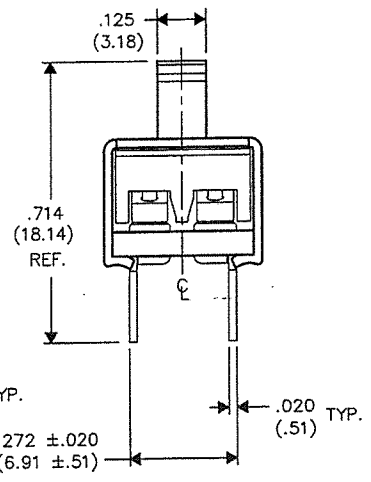
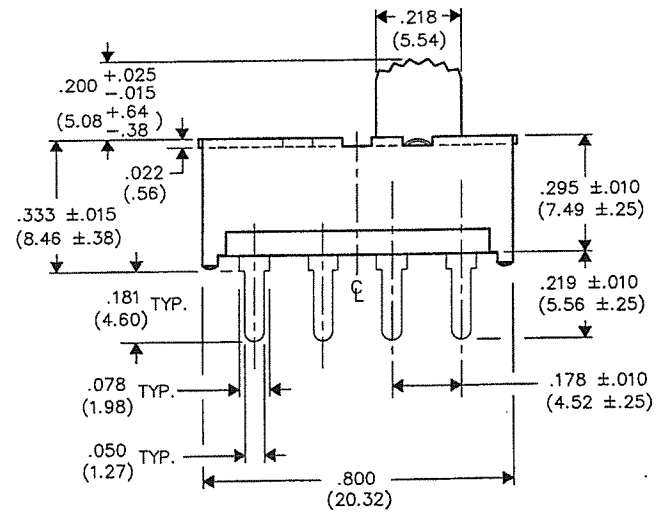
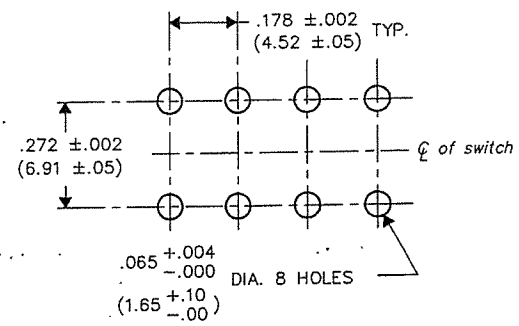
Dwg. No.

G-128S-0157

E  
D  
C  
B  
A



P.C. LAYOUT



1. 2. 3. 4. 5. 6. 7. 8. 9. 10.

B-FORMAT 2002  
REVISIONS  
0  
RELEASED  
DGW 12-19-2006  
DEC 20 2006

ATTENTION  
THIS DRAWING AND ITS ATTACHMENTS, IF ANY, ARE PROPRIETARY TO CW INDUSTRIES AND DESCRIBE DESIGNS THAT ARE CONFIDENTIAL AND MUST NOT BE DISCLOSED UNLESS AUTHORIZED, IN WRITING, BY AN OFFICER OF CW INDUSTRIES.....

**CW INDUSTRIES**  
Southampton, Pa. 18966

TOLERANCES UNLESS OTHERWISE SPECIFIED  
2 Place Decimal ±.010 METRIC  
3 Place Decimal ±.005 1 Place Dec. ±.25mm  
Angles ..... ±1' 2 Place Dec. ±.13mm

Made for: CW IND.  
Drawn by: DGW 12-19-2006  
Checked by: G. Gold 12-19-06  
Approval: [Signature] 12-26-06

Title: SWITCH ASSEMBLY  
D.P.- 3 POS.

Division: SWITCH  
Dwg. No. G-128S-0157

MASTER