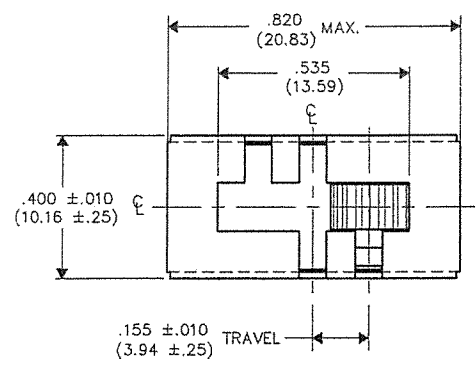


DIMENSIONS IN INCHES (MILLIMETERS)  
DO NOT SCALE DRAWING .....

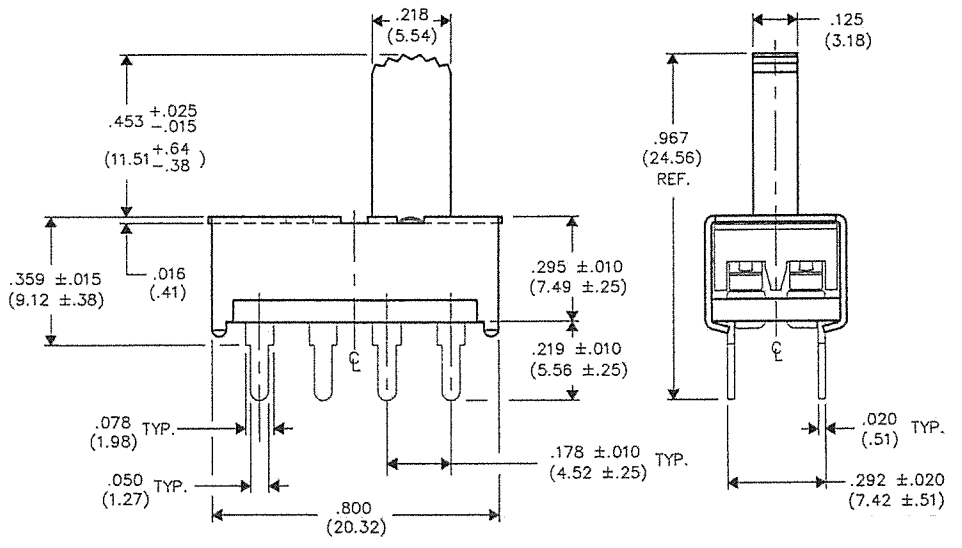
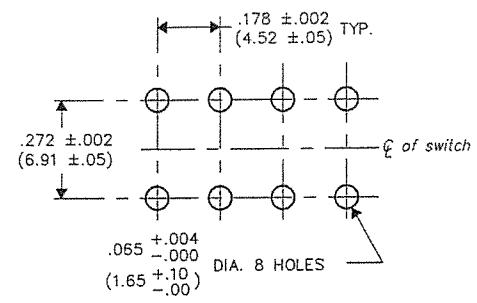
Dwg. No.  
**G-128S-0122**

F  
D  
C  
B  
A

THIS INFORMATION IS CONFIDENTIAL AND PROPRIETARY TO CW INDUSTRIES INCORPORATED AND ITS AFFILIATES. IT MAY NOT BE DISCLOSED TO ANYONE OTHER THAN CW INDUSTRIES PERSONNEL, WITHOUT WRITTEN AUTHORIZATION FROM CW INDUSTRIES INCORPORATED, SOUTHAMPTON, PENNSYLVANIA USA.



**P.C. LAYOUT**



1	2	3	4	5	6	7	8	9	10		
<b>B-FORMAT 2002</b>  <b>REVISIONS</b> 0 DWG 3-22-17 <i>Ces 4/4/17</i>								<b>CW INDUSTRIES</b> Southampton, Pa. 18966 <b>TOLERANCES UNLESS OTHERWISE SPECIFIED</b> 2 Place Decimal ±.010 METRIC 3 Place Decimal ±.005 1 Place Dec. ±.25mm Angles ..... ±1' 2 Place Dec. ±.13mm		Title: <b>MINI SLIDE SWITCH ASSEMBLY</b> D.P. - 3 POS.	
Made for: CW IND. Drawn by: DGW 3-22-17 Checked by: <i>G. Gold 3-27-17</i> Approval: <i>C. H. 4/4/17</i>								Division: <b>SWITCH</b> Dwg. No. <b>G-128S-0122</b>			

MASTER