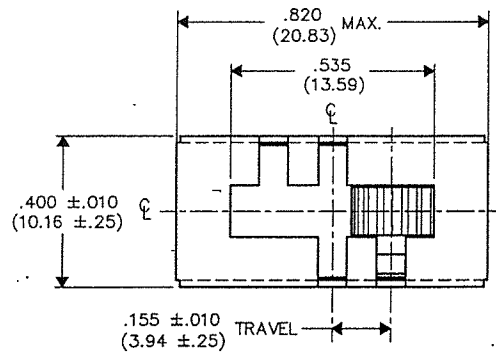


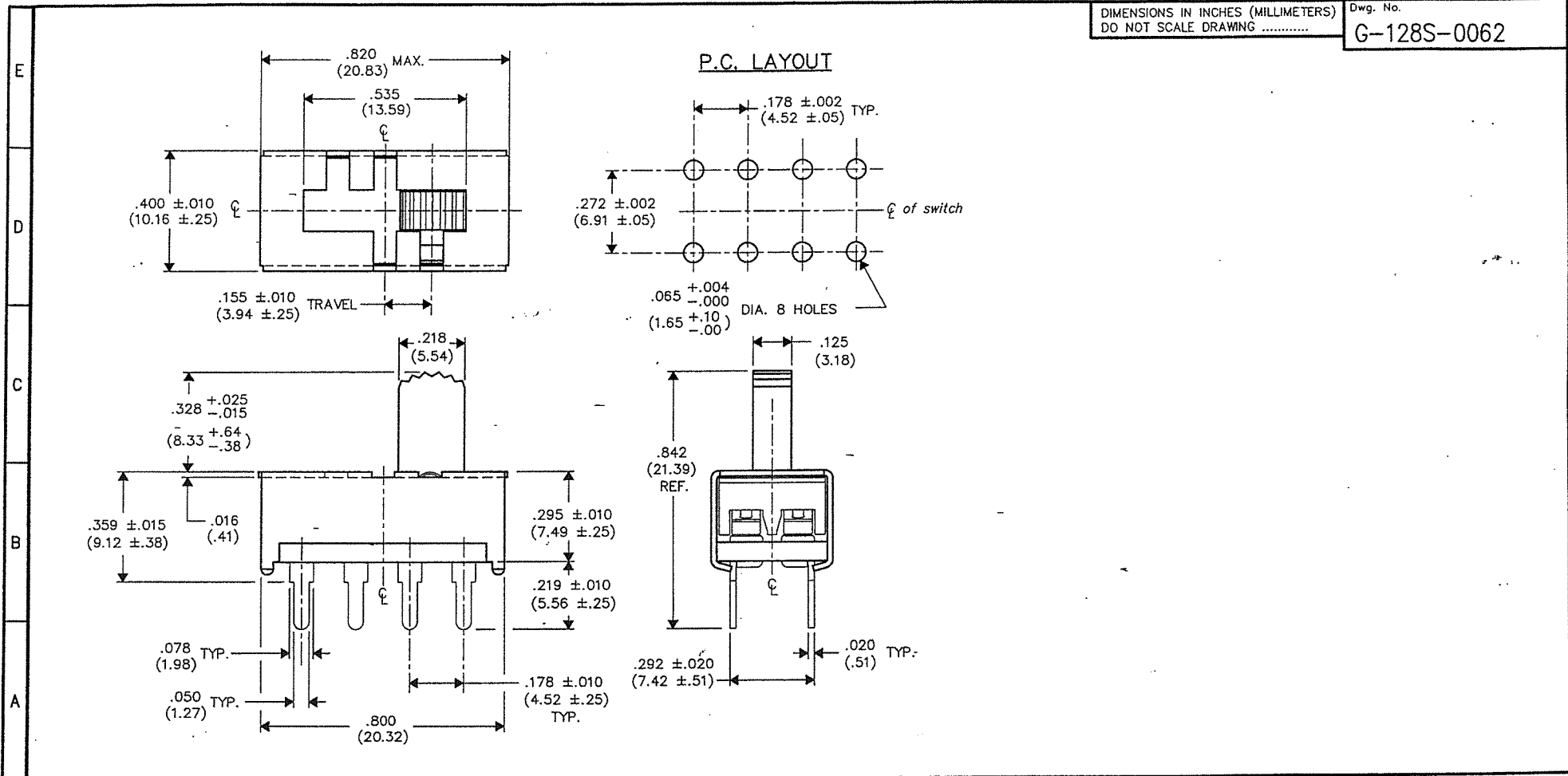
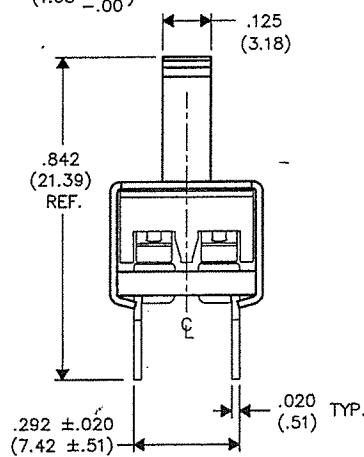
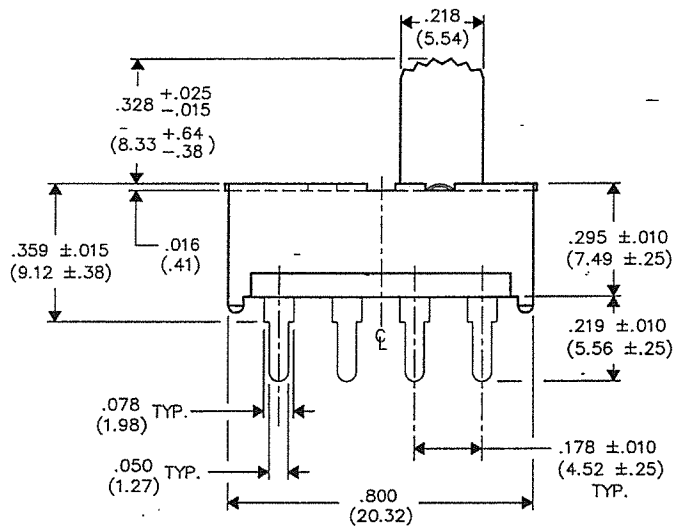
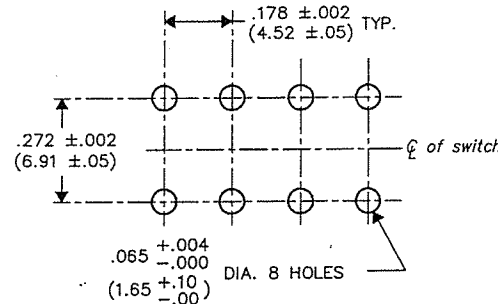
DIMENSIONS IN INCHES (MILLIMETERS)  
DO NOT SCALE DRAWING .....

Dwg. No.

G-128S-0062



P.C. LAYOUT



FORM-B3  
REVISIONS  
0  
RELEASED: 2-12-2009  
DGW  
FEB 12 2009

ATTENTION  
THIS DRAWING AND ITS ATTACHMENTS, IF ANY, ARE PROPRIETARY TO CW INDUSTRIES AND DESCRIBE DESIGNS THAT ARE CONFIDENTIAL AND MUST NOT BE DISCLOSED UNLESS AUTHORIZED, IN WRITING, BY AN OFFICER OF CW INDUSTRIES.....

**CW INDUSTRIES**  
Southampton, Pa. 18966

TOLERANCES UNLESS OTHERWISE SPECIFIED:  
METRIC  
2 Place Decimal ±.010  
3 Place Decimal ±.005  
Angles ..... ±1°  
1 Place Dec. ±.25mm  
2 Place Dec. ±.13mm

Title:  
**ASSEMBLY SWITCH**  
D.P.- 3 POS.

Made for: CW IND.

Division:  
**SWITCH**

Drawn by: DGW 2-12-2009

Dwg. No.  
G-128S-0062

Checked by: G. Guld 2-12-09

Approval: G. Guld 2-12-09

**MASTER**