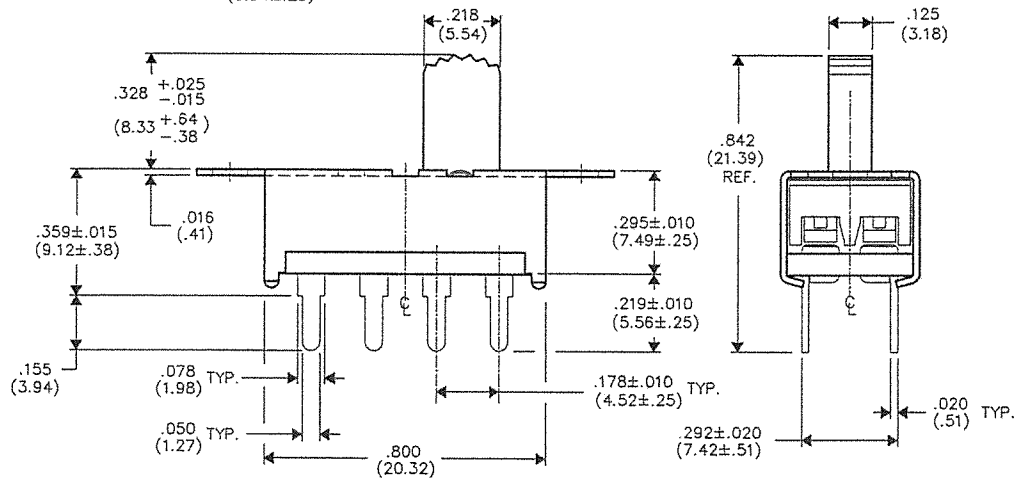
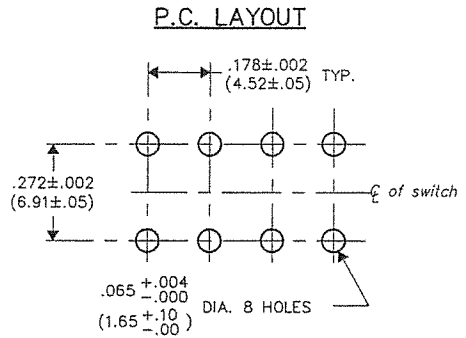
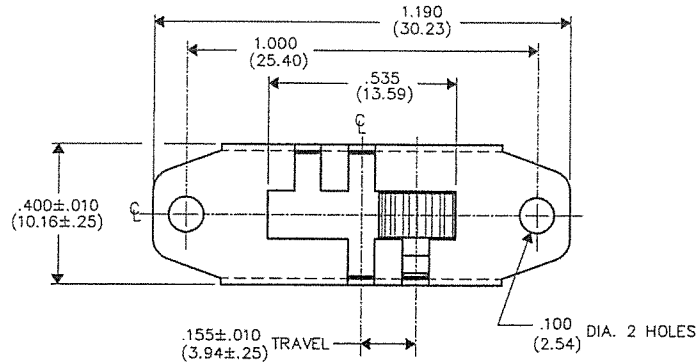


DIMENSIONS IN INCHES (MILLIMETERS)
DO NOT SCALE DRAWING

Dwg. No.
G-128S-0016



THIS INFORMATION IS CONFIDENTIAL AND PROPRIETARY TO CW INDUSTRIES INCORPORATED AND ITS AFFILIATES. IT MAY NOT BE DISCLOSED TO ANYONE OTHER THAN CW INDUSTRIES PERSONNEL, WITHOUT WRITTEN AUTHORIZATION FROM CW INDUSTRIES INCORPORATED, SOUTHAMPTON, PENNSYLVANIA USA.

1	2	3	4	5	6	7	8	9	10
---	---	---	---	---	---	---	---	---	----

B-FORMAT 2002
REVISIONS
RELEASED: DGW 3-20-17
Ce 4/4/17 042017

PDF MADE	CW INDUSTRIES Southampton, Pa. 18966	Title: ASSEMBLY SWIDGET
	TOLERANCES UNLESS OTHERWISE SPECIFIED	D.P. - 3 POS.
	2 Place Decimal ±.010 METRIC 3 Place Decimal ±.005 1 Place Dec. ±.25mm Angles ±1' 2 Place Dec. ±.13mm	
	Made for: CW IND.	Division: SWITCH
Drawn by: DGW 3-20-17		Dwg. No. G-128S-0016
Checked by: G. Gould 3-27-17		
Approval: C. Hair 4/4/17		

MASTER