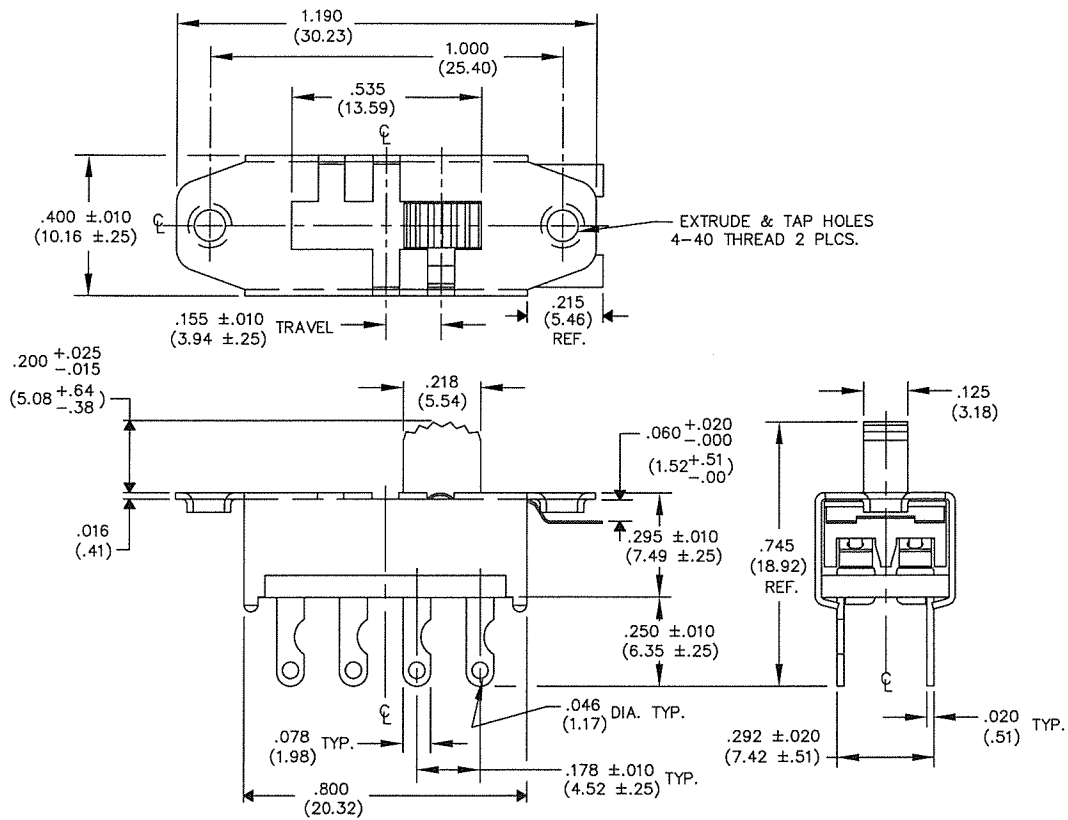


DIMENSIONS IN INCHES (MILLIMETERS)  
DO NOT SCALE DRAWING .....

Dwg. No.  
G-128L-0021



**ATTENTION**  
THIS DRAWING AND ITS ATTACHMENTS, IF ANY, ARE  
PROPRIETARY TO CW INDUSTRIES AND DESCRIBE  
DESIGNS THAT ARE CONFIDENTIAL AND MUST NOT  
BE DISCLOSED UNLESS AUTHORIZED, IN WRITING,  
BY AN OFFICER OF CW INDUSTRIES.....

**CW INDUSTRIES**  
Southampton, Pa. 18966

TOLERANCES UNLESS OTHERWISE SPECIFIED  
2 Place Decimal ±.010 METRIC  
3 Place Decimal ±.005 1 Place Dec. ±.25mm  
Angles ..... ±1' 2 Place Dec. ±.13mm

Made for: CW IND.  
Drawn by: DGW 10-21-2003  
Checked by: GG 10-24-03  
Approval: BF 10-24-3

Title: SWIDGET  
ASSEMBLY  
D.P. - 3 POS.

Division: SWITCH  
Dwg. No. G-128L-0021

B-FORMAT 2002

REVISIONS

0  
RELEASED: 10-21-2003  
DGW  
Oct. 24, 2003

1 2 3 4 5 6 7 8 9 10