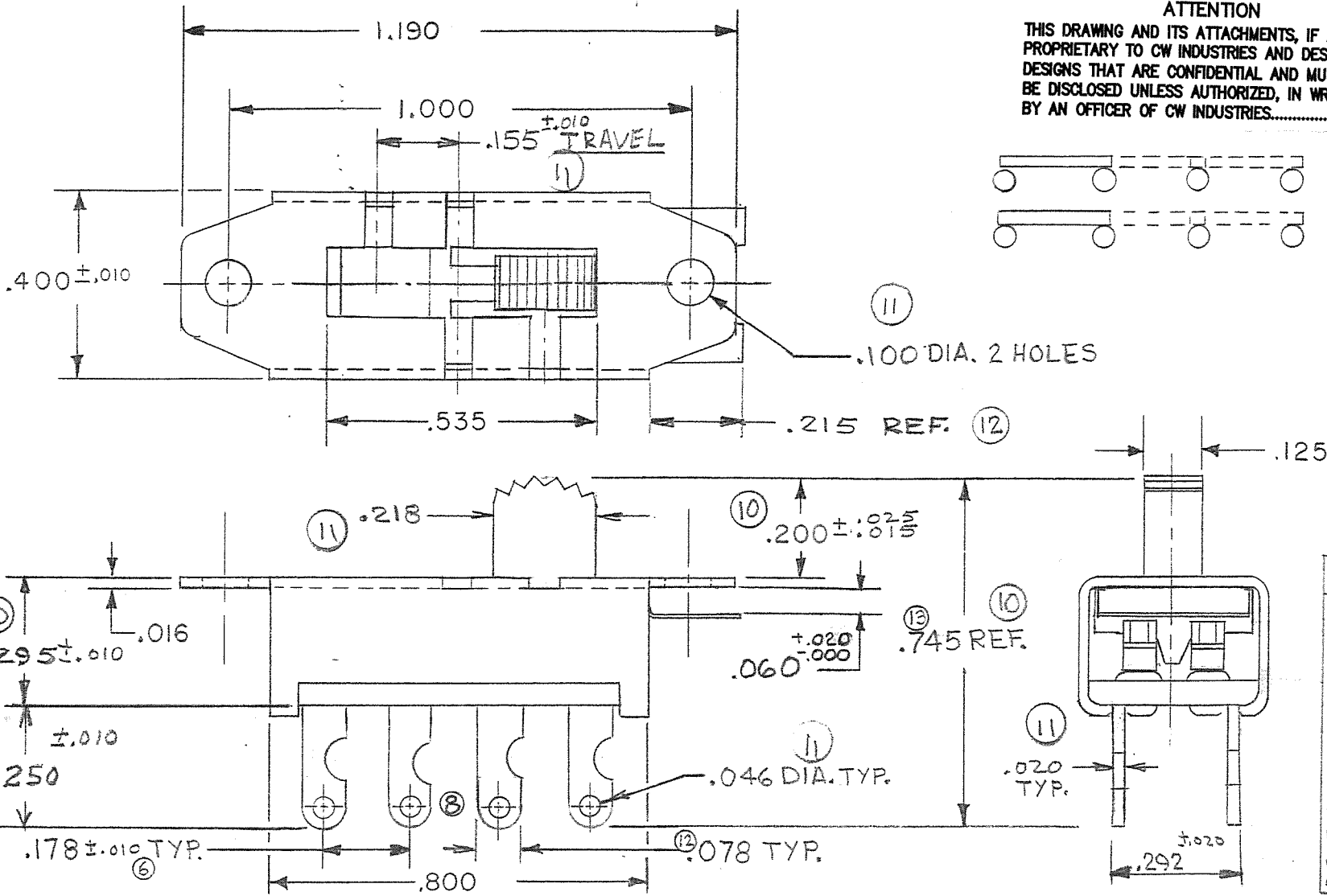


ATTENTION
 THIS DRAWING AND ITS ATTACHMENTS, IF ANY, ARE PROPRIETARY TO CW INDUSTRIES AND DESCRIBE DESIGNS THAT ARE CONFIDENTIAL AND MUST NOT BE DISCLOSED UNLESS AUTHORIZED, IN WRITING, BY AN OFFICER OF CW INDUSTRIES.....



12
 DELETED: BILL OF MAT'L
 ADDED: .078 (TYP.)
 .215 (REF.)
 J.V. 9-11-73

13
 .295 ±.010 WAS .285 ±.010.
 .745 REF. WAS .735 REF.
 GENERAL REVISIONS
 L.W. 6-1-77 JUN 1 1977

ALL SCREW THREADS TO BE CLASS 2 FIT (AMERICAN STANDARDS) UNLESS OTHERWISE SPECIFIED. DIMENSIONS ARE IN INCHES, AND INCLUDE THICKNESS OF PLATING. DO NOT SCALE DRAWING.

REVISIONS	0	1	2	3	4	5	6	7	8	9	10	11
ENG. AP.	8-1-63											
ADDED	±.010 TOL. TO .300 DIM.	9-4-63 VAB.										
ADDED	NOTE	12-10-63 VAB										
CHANGED	DETENT HOLES TO SLOTS	3-23-64 D.F.V.										
G-128-5 WAS	G-128, G-128-L WAS	G-128-1										
6-5-64	J.V.S. CTD											
WAS	G-128-5, ADDED .060 RM 5-2-66											
1-20-67												
.892 WAS	.535											
4-4-68												
REVISED	TERMS P.S. 2-5-70	EJO										
G-128L-0000 WAS	G-128-L											
P.S. 8-11-70												
DELETED	.300 ±.015 WAS ±.010 (REF.) WAS ±.020											
ADDED	.285 ±.010											
J.V. 7-17-73												
GENERAL	REVIS.											
J.V. 7-23-73												

VARIATIONS ON FINISHED DIMENSIONS UNLESS OTHERWISE MARKED		
BASIC DIMENSIONS	FRACTIONAL DIMENSIONS	DECIMAL DIMENSIONS
UP TO 6	± 1/64	± .005
ABOVE 6 TO 24	± 1/32	± .010
ABOVE 24	± 1/16	± .015
ANGULAR DIMENSIONS		± 1/2°

SWIDGET
 2 P. - 3 POS.
 FIRST MADE FOR
 DRAWN BY D.F.V. 3-23-64
 CHECKED BY

PDF File Made
 JUL 30 1973
 Continental-Wirt Electronics Corp. G-128L-0000

A G-128L-0000