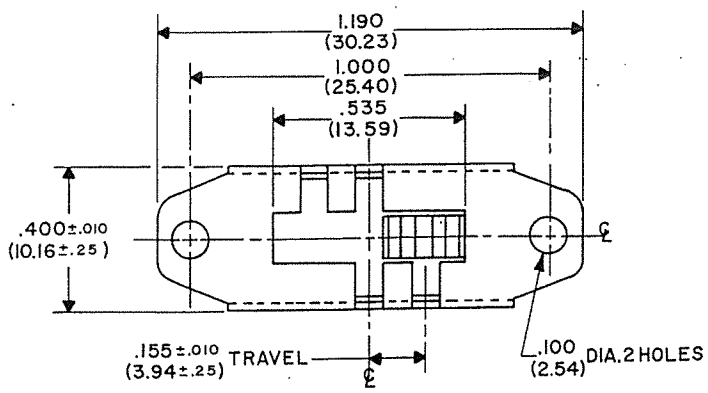


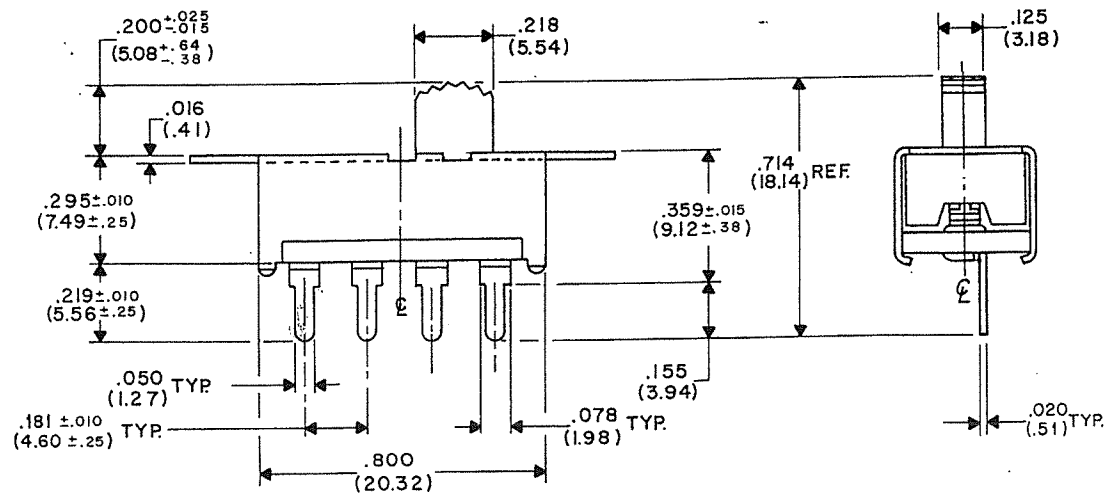
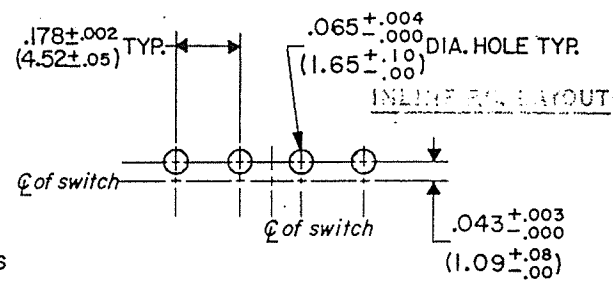
DIMENSIONS IN INCHES (METRIC-MILLIMETERS)
DO NOT SCALE DRAWING..

Drawing Number
G-127S-3013

NOTE:
Dimensions in () are in millimeters.



P.C. LAYOUT
"COMPONENT SIDE"



REVISIONS
 0
 RELEASED
 ECW:5-23-87
 100

CW INDUSTRIES
Southampton, Pa. 18966
TOLERANCES UNLESS OTHERWISE SPECIFIED

2 Place decimal ±.010	METRIC
3 Place decimal ±.005	1 Place dec. ±.25MM
Angles ±1°	2 Place dec. ±.13MM

ASSEMBLY SWIDGET
S.P. - 3T

PDF File Made
 Made for SUDNI.W.C
 Drawn by LIS JACKSON 3-23-87
 Checker *JH* 3/23
 Eng. appr. *JH* 3/23

Division SWITCH
 Drawing Number
G-127S-3013