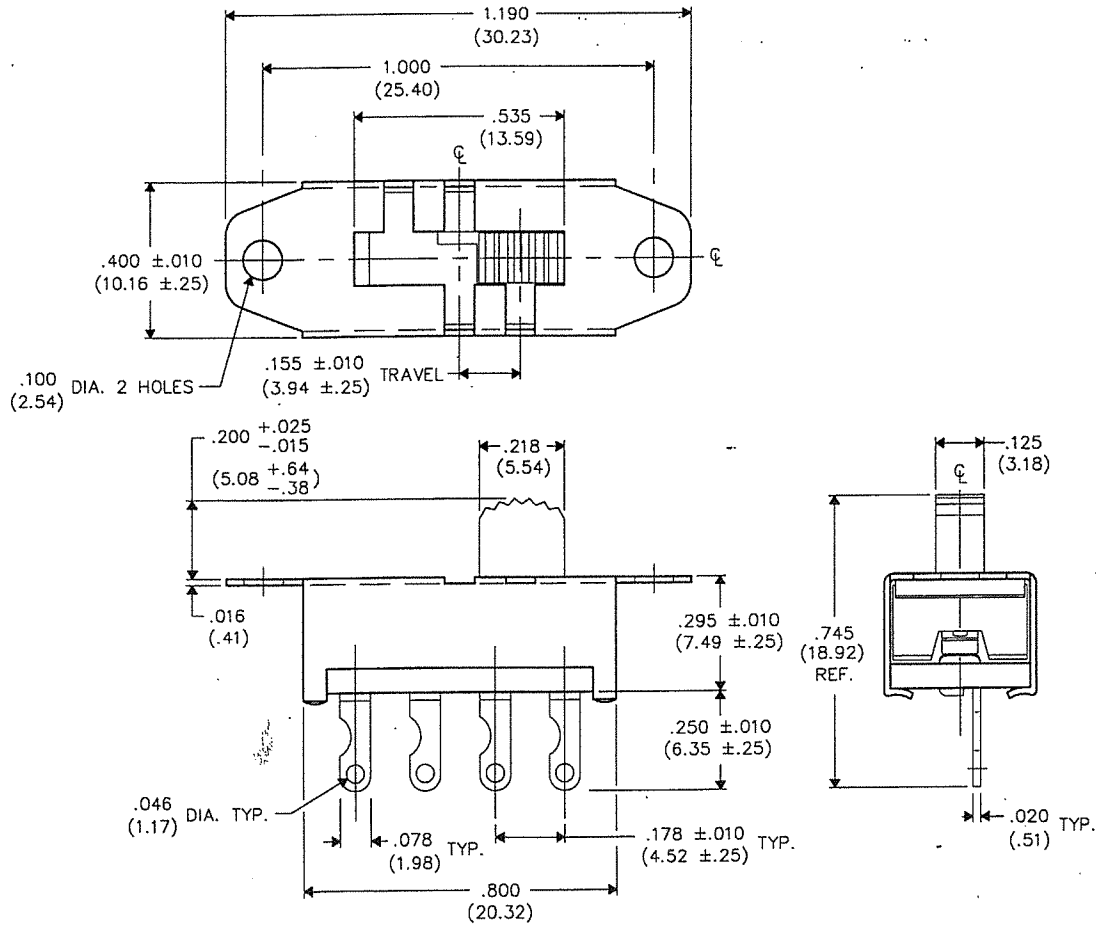


DIMENSIONS IN INCHES (MILLIMETERS)
DO NOT SCALE DRAWING

Dwg. No.

G-127S-3011



ELECTRICAL RATINGS:

U.L. & C.S.A. LISTED
3A. A.C. .5A. D.C. 125V.

MATERIALS:

- BUTTON- Nylon 6/6, COLOR- Black BK-1
- HOUSING- Cold Rolled Steel/Zinc Plated
- CONTACT SPRING- Phosphor Bronze, C (Copper Alloy # 521)
- CONTACT SHOE- Extra Hard Copper Alloy # 194
- DETENT- Spring Temper, Nickel Silver 12% CDA Alloy # 762
- TERMINAL- #110 Round Edge Copper Alloy .00010 Silver Plated
- TERMINAL BOARD- XP Sanded Both Sides

FORM-B2

REVISIONS

0	RELEASED. DGW 5-22-96
1	SHOULD HAVE BEEN RELEASED AS REV. 1 PER REV. 0 BY E.C.J. 3-19-87. DGW 5-28-96

CW INDUSTRIES
Southampton, Pa. 18966

TOLERANCES UNLESS OTHERWISE SPECIFIED
2 Place Decimal ±.010 METRIC
3 Place Decimal ±.005 1 Place Dec. ±.25mm
Angles ±1' 2 Place Dec. ±.13mm

Made for: CW IND.

Drawn by: DGW 5-22-96

Checked by: G. GULD 5-22-96

Approval: J. Flanagan 5-22-96

Title:
MINI-SWITCH
S.P./3 POSITION

Division:
SWITCH

Dwg. No.
G-127S-3011