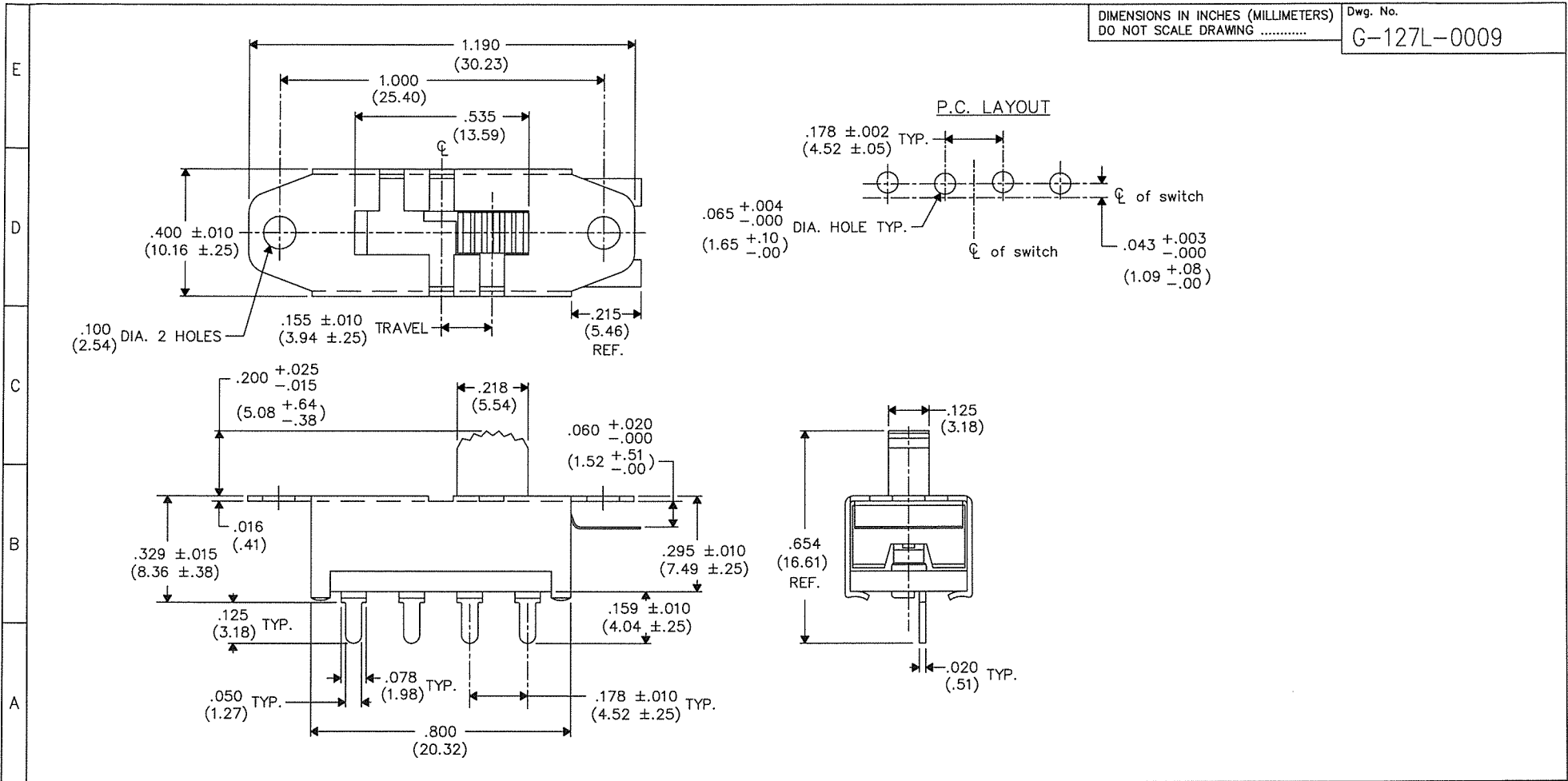


DIMENSIONS IN INCHES (MILLIMETERS)  
DO NOT SCALE DRAWING .....

Dwg. No.  
G-127L-0009



1	2	3	4	5	6	7	8	9	10
---	---	---	---	---	---	---	---	---	----

B-FORMAT 2002 REVISIONS 0 RELEASED: DGW 12-18-2003 CH 1-7-04	<b>ATTENTION</b> THIS DRAWING AND ITS ATTACHMENTS, IF ANY, ARE PROPRIETARY TO CW INDUSTRIES AND DESCRIBE DESIGNS THAT ARE CONFIDENTIAL AND MUST NOT BE DISCLOSED UNLESS AUTHORIZED, IN WRITING, BY AN OFFICER OF CW INDUSTRIES.....		<b>CW INDUSTRIES</b> Southampton, Pa. 18966 TOLERANCES UNLESS OTHERWISE SPECIFIED 2 Place Decimal ±.010 METRIC 3 Place Decimal ±.005 1 Place Dec. ±.25mm Angles ..... ±1° 2 Place Dec. ±.13mm	Title: MINI-SLIDE SWITCH S.P./3P
	Made for: CW IND.			Division: SWITCH
	Drawn by: DGW 12-18-2003			Dwg. No. G-127L-0009
	Checked by: GG 1-7-04			Approval: CH 1-7-04