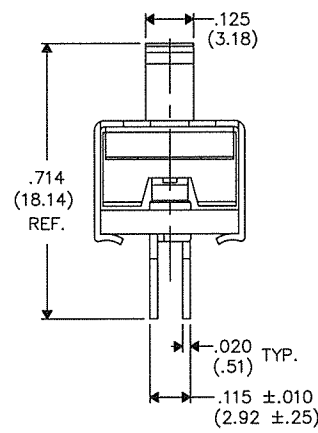
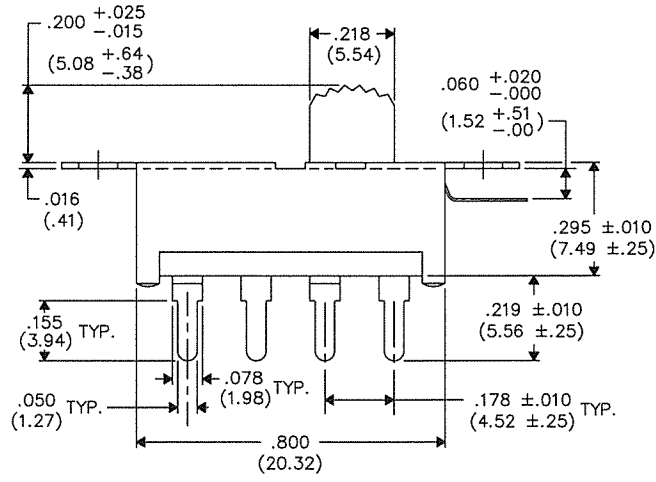
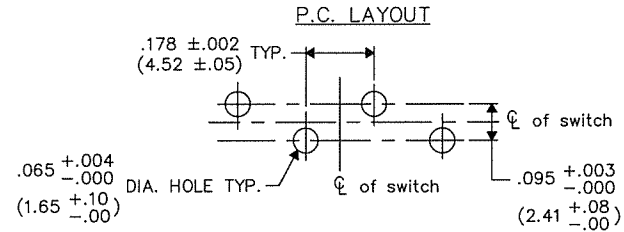
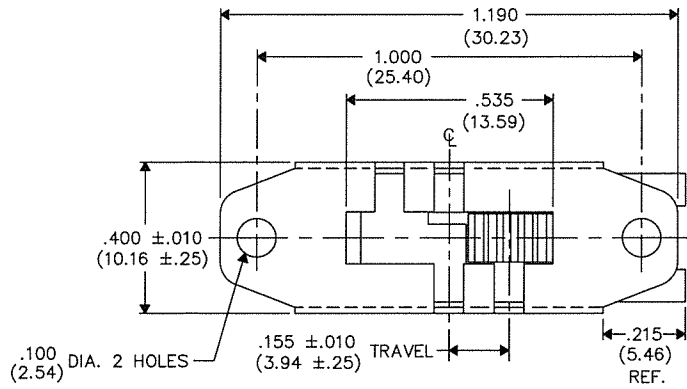


DIMENSIONS IN INCHES (MILLIMETERS)
DO NOT SCALE DRAWING

Dwg. No.
G-127L-0001



FORM-B

REVISIONS

6	REDRAWN, ADDED NEW FORMAT & P.C. LAYOUT. DGW 2-21-2003 3-17-2003
---	--

ATTENTION

THIS DRAWING AND ITS ATTACHMENTS, IF ANY, ARE PROPRIETARY TO CW INDUSTRIES AND DESCRIBE DESIGNS THAT ARE CONFIDENTIAL AND MUST NOT BE DISCLOSED UNLESS AUTHORIZED, IN WRITING, BY AN OFFICER OF CW INDUSTRIES.....

CW INDUSTRIES Southampton, Pa. 18966	
TOLERANCES UNLESS OTHERWISE SPECIFIED	
2 Place decimal ±.010	METRIC
3 Place decimal ±.005	1 Place dec. ±.25mm
Angles ± 1°	2 Place dec. ±.13mm
Made for: CW IND.	
Drawn by: DGW 2-21-2003	
Checked by: GG 3-13-03	
Approval: BF 3-13-3	

Title:
SWIDGET
S.P.- 3 POS.

Division:
SWITCH

Dwg. No.
G-127L-0001