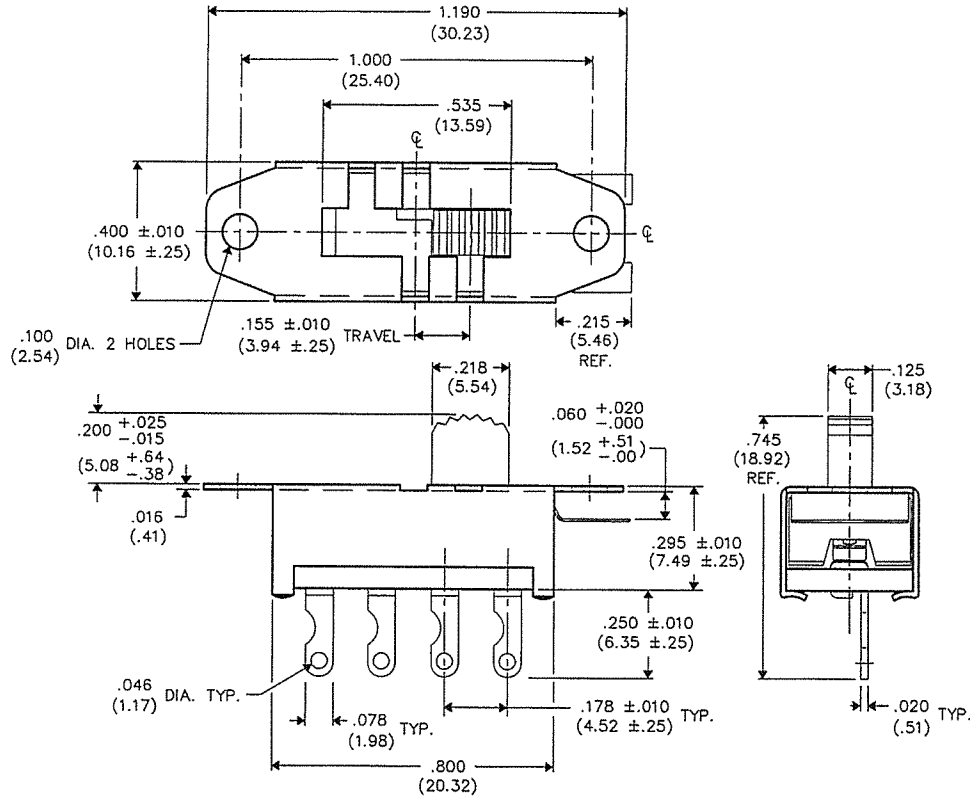


DIMENSIONS IN INCHES (MILLIMETERS)
DO NOT SCALE DRAWING

Dwg. No.
G-127L-0000



B-FORMAT 2002

REVISIONS

0
RELEASED.
DGW 4-10-17
CB 4/11/17

1 2 3 4 5 6 7 8 9 10

PDF MADE

CW INDUSTRIES
Southampton, Pa. 18966

TOLERANCES UNLESS OTHERWISE SPECIFIED
2 Place Decimal ±.010 METRIC
3 Place Decimal ±.005 1 Place Dec. ±.25mm
Angles ±1° 2 Place Dec. ±.13mm

Made for: CW IND.

Drawn by: DGW 4-10-17

Checked by: G. GULD 4-10-17

Approval: *[Signature]* 4/11/17

Title: MINIATURE
SLIDE SWITCH
S.P./3 POSITION

Division: SWITCH

Dwg. No. G-127L-0000