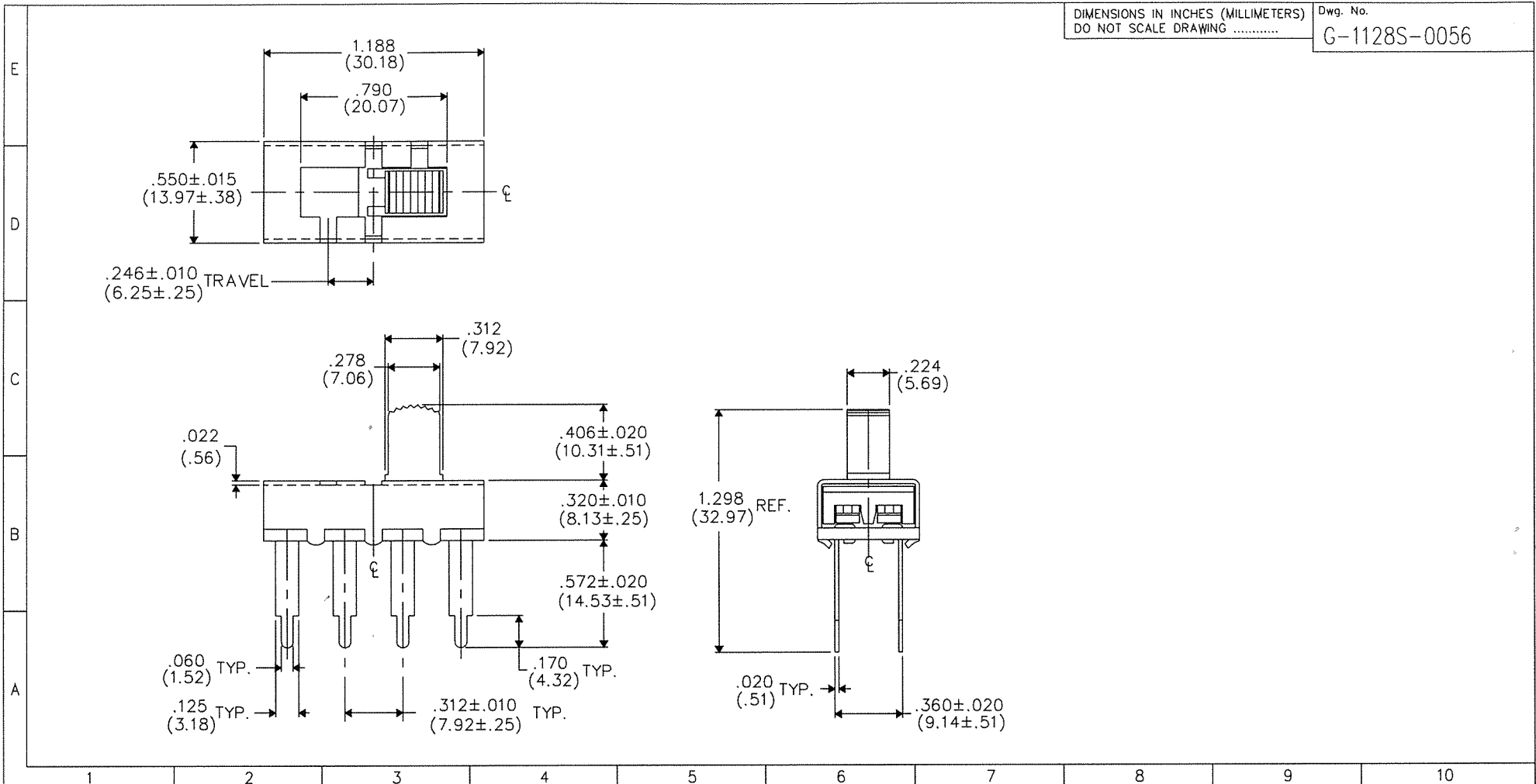


DIMENSIONS IN INCHES (MILLIMETERS)
DO NOT SCALE DRAWING

Dwg. No.
G-1128S-0056



FORM-B4	REVISIONS	0	<p style="text-align: center;">ATTENTION</p> <p style="text-align: center;">THIS DRAWING AND ITS ATTACHMENT, IF ANY, ARE PROPRIETARY TO CW INDUSTRIES AND DESCRIBE DESIGNS THAT ARE CONFIDENTIAL AND MUST NOT BE DISCLOSED UNLESS AUTHORIZED, IN WRITING, BY AN OFFICER OF CW INDUSTRIES.....</p>				<p>CW INDUSTRIES Southampton, Pa. 18966</p> <p>TOLERANCES UNLESS OTHERWISE SPECIFIED</p> <table border="1"> <tr> <td>2 Place Decimal ±.010</td> <td>METRIC</td> </tr> <tr> <td>3 Place Decimal ±.005</td> <td>1 Place Dec. ±.25mm</td> </tr> <tr> <td>Angles ±1°</td> <td>2 Place Dec. ±.13mm</td> </tr> </table>		2 Place Decimal ±.010	METRIC	3 Place Decimal ±.005	1 Place Dec. ±.25mm	Angles ±1°	2 Place Dec. ±.13mm	<p>Title: STANDARD SWITCH ASSEMBLY D.P./3 P.</p>	
2 Place Decimal ±.010	METRIC															
3 Place Decimal ±.005	1 Place Dec. ±.25mm															
Angles ±1°	2 Place Dec. ±.13mm															
RELEASED. DGW 1-22-2002 1-23-2002			<p>Made for: CW IND.</p> <p>Drawn by: DGW 1-22-2002</p> <p>Checked by: GG 1-23-2002</p> <p>Approval: BF 1-23-2002</p>		<p>Division: SWITCH</p> <p>Dwg. No. G-1128S-0056</p>											