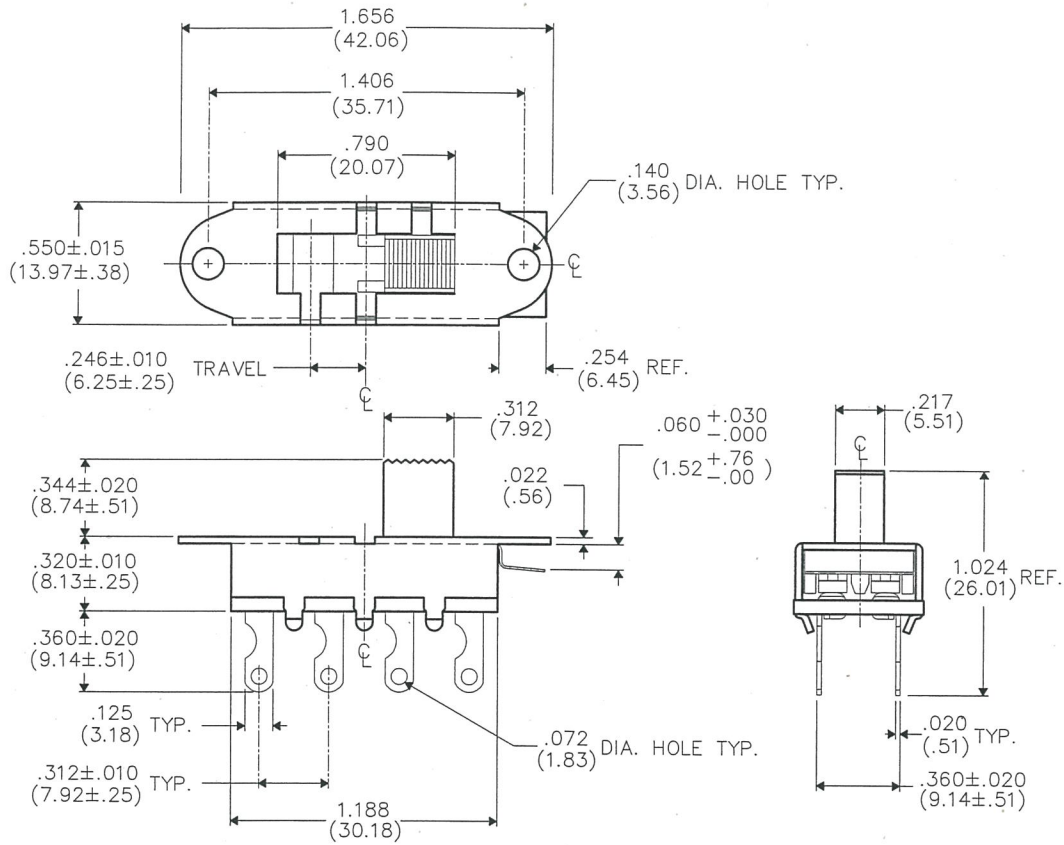


F
 D
 C
 B
 A

THIS INFORMATION IS CONFIDENTIAL AND PROPRIETARY TO CW INDUSTRIES INCORPORATED AND ITS AFFILIATES. IT MAY NOT BE DISCLOSED TO ANYONE OTHER THAN CW INDUSTRIES PERSONNEL, WITHOUT WRITTEN AUTHORIZATION FROM CW INDUSTRIES INCORPORATED, SOUTHAMPTON, PENNSYLVANIA, USA.

DIMENSIONS IN INCHES (MILLIMETERS)
 DO NOT SCALE DRAWING

Dwg. No.
G-1128L-0000



1 2 3 4 5 6 7 8 9 10

B-FORMAT 2002
REVISIONS
 RELEASED: 1-20-2016
 DGW
 JAN 25 2016

CW INDUSTRIES
 Southampton, Pa. 18966
TOLERANCES UNLESS OTHERWISE SPECIFIED
 2 Place Decimal ±.010 METRIC
 3 Place Decimal ±.005 1 Place Dec. ±.25mm
 Angles ±1' 2 Place Dec. ±.13mm

Made for: CW IND.
 Drawn by: DGW 1-20-2016
 Checked by: *G. BULD 1-21-16*
 Approval: *G. BULD 1-21-16*

PDF MADE

Title: **SLIDE SWITCH ASSEMBLY**
 D.P. - 3 POS.
 Division: **SWITCH**
 Dwg. No. **G-1128L-0000**

MASTER