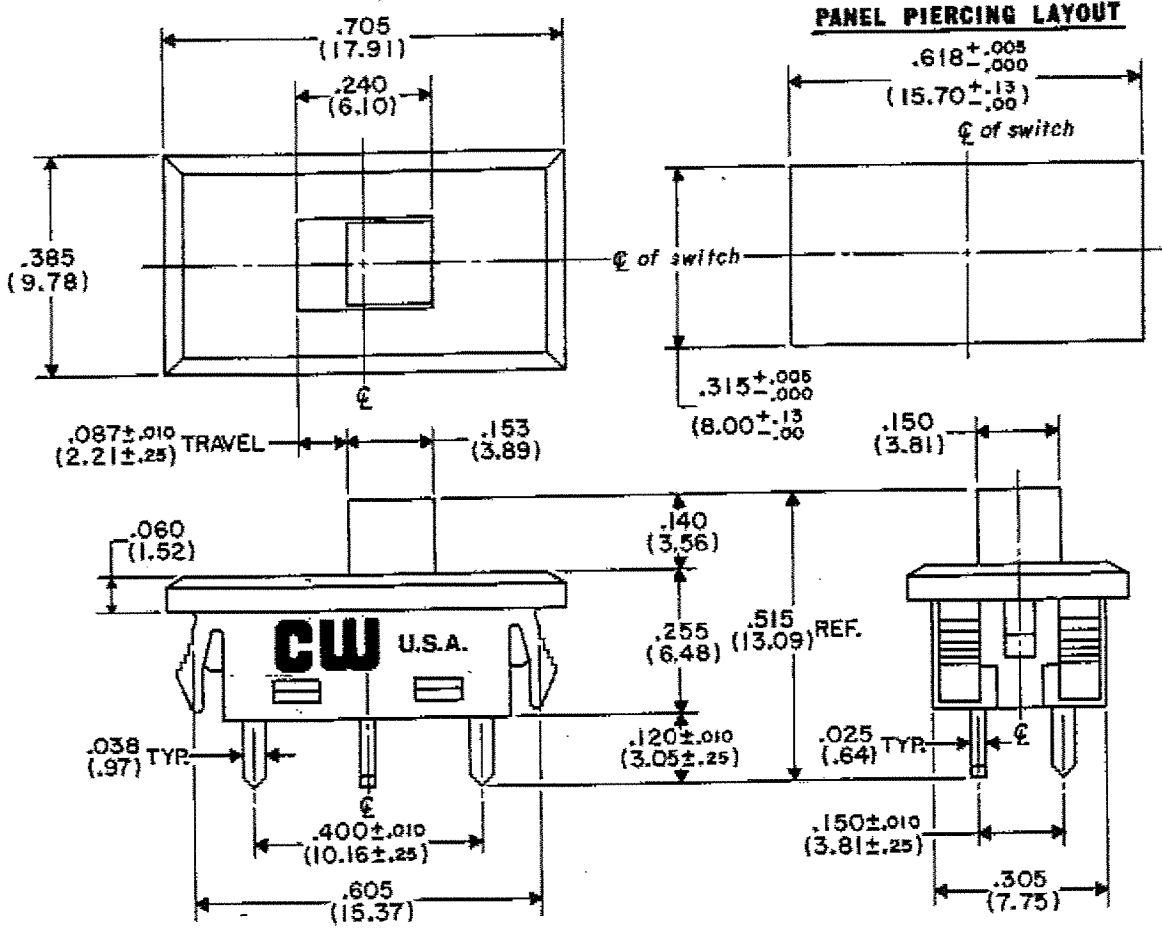


G-107-SI-0000  
DRAWING NUMBER



**ATTENTION**

THIS DRAWING AND ITS ATTACHMENTS, IF ANY, ARE PROPRIETARY TO CW INDUSTRIES AND DESCRIBE DESIGNS THAT ARE CONFIDENTIAL AND MUST NOT BE DISCLOSED UNLESS AUTHORIZED, IN WRITING, BY AN OFFICER OF CW INDUSTRIES.....

(PDF File Made)

**METRIC TOLERANCES UNLESS OTHERWISE SPECIFIED**

1 Place Decimal  $\pm .25\text{mm}$

2 Place Decimal  $\pm .13\text{mm}$

DIMENSIONS ARE IN INCHES. DO NOT SCALE DRAWING.

**CW INDUSTRIES**  
WARRINSTER, PA. 18974

TOLERANCES UNLESS OTHERWISE SPECIFIED	1 PLACE DECIMAL — $\pm .010$
	2 PLACE DECIMAL — $\pm .005$
	ANGLES — $\pm 1^\circ$
	FRACTIONS — $\pm 1/64$

MADE FOR CW

DRAWN BY LBO Webber DATE 1-27-82

CHECKED BY [Signature] DATE 1/27/82

ENCL. APPR. DATE

**SWITCH**

DIVISION

**SNAP-IN SLIDE SWIDGET JR. ASSEMBLY**  
S.R.-D.T.

**G-107-SI-0000**

DRAWING NUMBER

REVISIONS