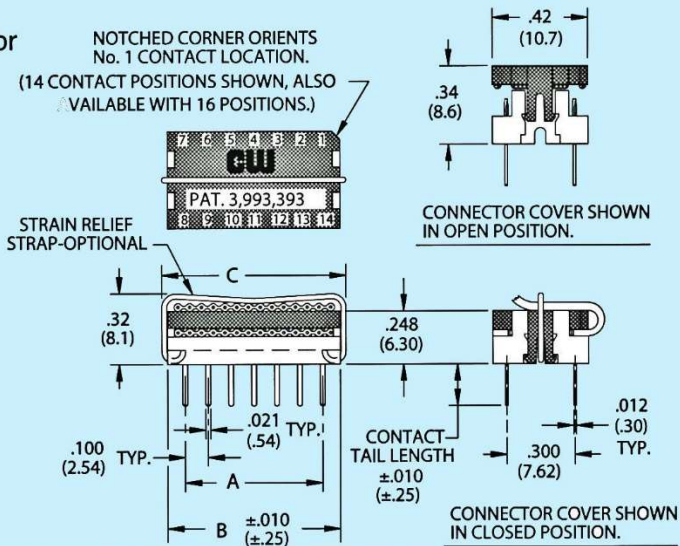


# DIP Connectors

## Engineering Dimensions

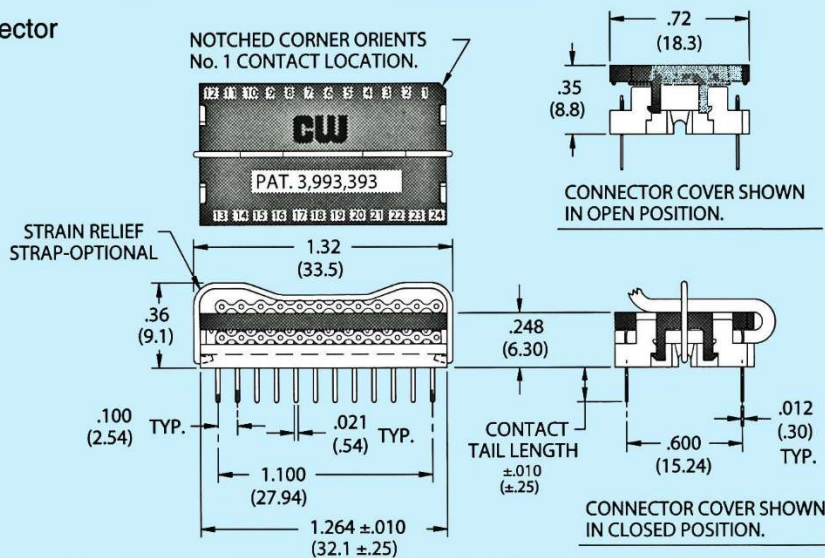
### Dimensions

#### 14/16 Pin DIP Connector

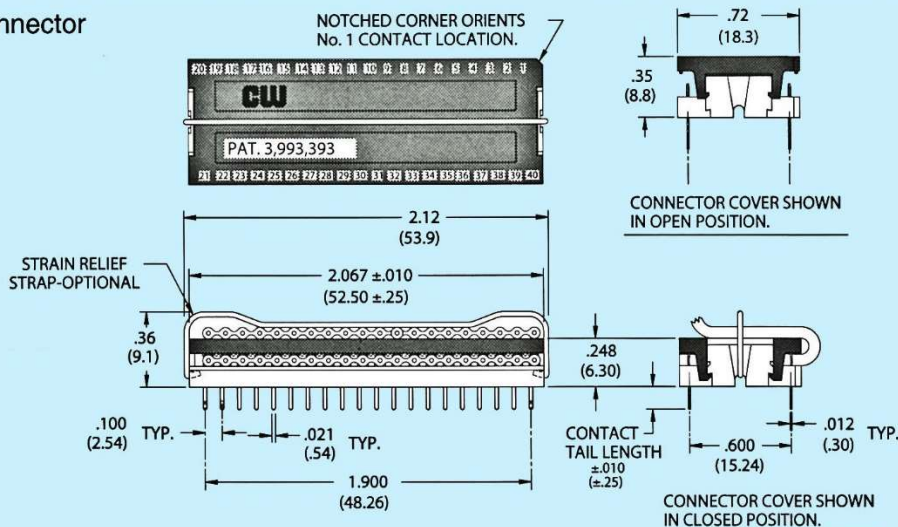


| CONNECTOR DIMENSIONS |               |                |               |
|----------------------|---------------|----------------|---------------|
| NO. OF CONTACTS      | A             | B              | C             |
| 14                   | .60<br>(15.2) | .754<br>(19.2) | .81<br>(20.6) |
| 16                   | .70<br>(17.8) | .854<br>(21.7) | .91<br>(23.1) |

#### 24 Pin DIP Connector



#### 40 Pin DIP Connector



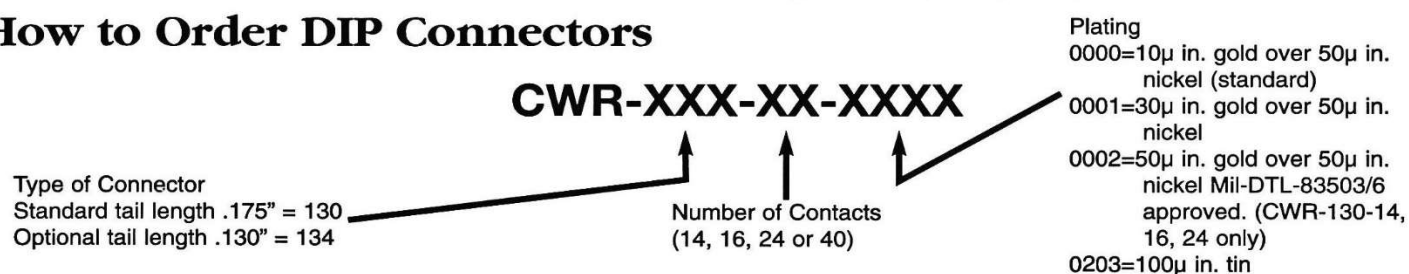
# DIP Connectors

## Specifications and Ordering Information

### Specifications

- Contacts: phosphor bronze standard.
- Contact Plating: 10µ in. gold over 50µ in. nickel, standard; 30µ in. gold over 50µ in. nickel, optional; 50µ in. gold over 50µ in. nickel, optional;
- Insulator Material: UL 94V-0 flame - retardant glass filled thermoplastic
- Strain Relief Strap Material: tin-plated steel
- Color: blue
- Operating temperature: -55°C to +125°C
- Current Rating: 1A (maximum) per contact
- Dielectric Withstand Voltage: Greater than 500 Vdc at sea level
- Insulation Resistance: Greater than 5 x 10<sup>9</sup> ohms
- Mates with .050 in. centered round conductor flat cable and standard DIP socket with .100 in. x .300 in. or .100 in. x .600 in. contact spacing
- Cover pull off force, with strain relief 20 lb minimum (force along contacts' primary axes)

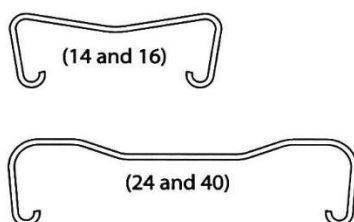
### How to Order DIP Connectors



EXAMPLE: CWR-130-16-0002 is part number for a 16-pin DIP connector with .175 in. tails and 50µ in. gold over 50µ in. nickel contacts

### How to Order Strain Relief Straps for DIP Connectors

EXAMPLE: Strain Relief Strap part number for 24-pin DIP Connector is CWN-SR-24



### CWN-SR-XX

↑  
Connector Size  
(14, 16, 24 or 40)