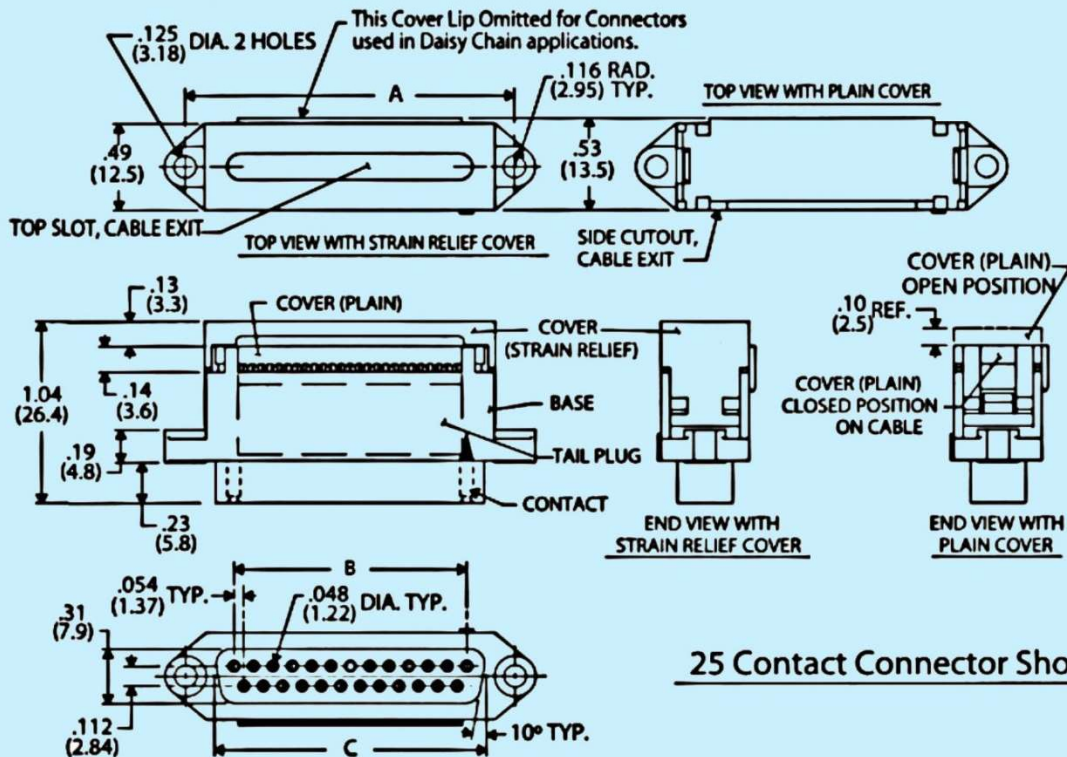


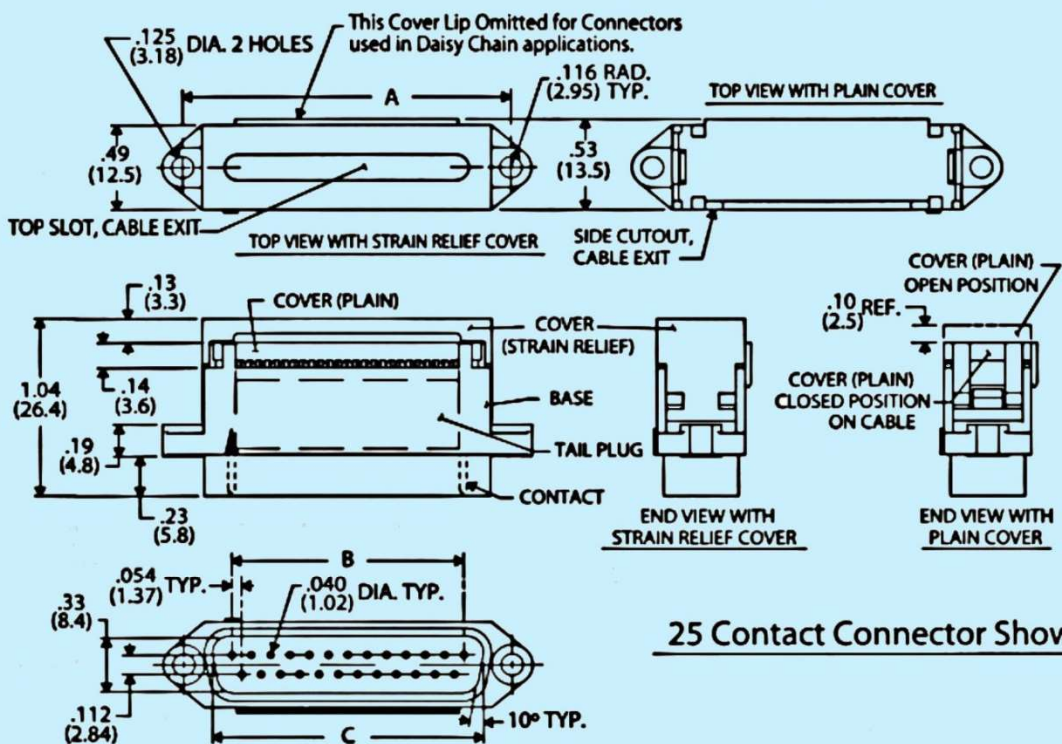
# D-Subminiature-All-Plastic

## Engineering Dimensions



### Socket D Connector

CONNECTOR DIMENSIONS			
NO. CONTS.	A	B	C
9	.984 (24.99)	.434 (11.02)	.640 (16.26)
15	1.312 (33.32)	.760 (19.30)	.966 (24.54)
25	1.852 (47.04)	1.303 (33.10)	1.510 (38.35)
37	2.500 (63.50)	1.955 (49.66)	2.162 (54.91)



### Pin D Connector

CONNECTOR DIMENSIONS			
NO. CONTS.	A	B	C
9	.984 (24.99)	.434 (11.02)	.660 (16.76)
15	1.312 (33.32)	.760 (19.30)	.986 (25.04)
25	1.852 (47.04)	1.303 (33.10)	1.530 (38.86)
37	2.500 (63.50)	1.955 (49.66)	2.182 (55.42)

# D-Subminiature-All-Plastic

## Specifications and Ordering Information

### Specifications

- Contacts: phosphor bronze standard
- Contact Plating: 30µ in. gold (in mating area) over 50µ in. nickel, standard; 10µ in. gold (in mating area) over 50µ in. nickel, optional; 50µ in. gold (in mating area) over 50µ in. nickel, optional;
- Insulator material: UL 94V-0 flame - retardant thermoplastic
- Cover pull-off force 8 oz/contact minimum (force applied along contacts' primary axes)
- Strain Relief Cover: standard
- Withdrawal force 2-8 oz/contact, typical
- Color: blue
- Operating temperature: -55° to +125°C
- Current 1A(maximum) per contact
- Dielectric Withstand Voltage: 500 Vdc (sea level)
- Insulation resistance: 5 x 10<sup>9</sup> ohms

## How to Order All-Plastic D-Subminiature Connectors

Type of Connector

182=D-Subminiature for cable end terminations, pin contact (Standard)

183=D-Subminiature for cable end terminations, socket contact (Standard)

180=D-Subminiature connector for daisy chain applications, pin contact

181=D-Subminiature connector for daisy chain applications, socket contact

### CWR-XXX-XX-00XX

Number of Contacts  
(9, 15, 25, 37)

Plating

0021=30µ in. gold (in mating area) over 50µ in. nickel (standard)

0000=10µ in. gold (in mating area) over 50µ in. nickel

0055=50µ in. gold (in mating area) over 50µ in. nickel

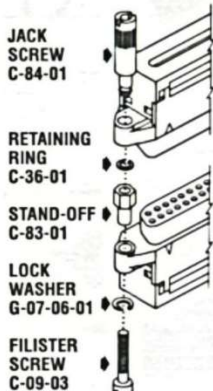
0203=100µ in. tin

## Hardware Mounting Kits for All-Plastic D-Connectors

To order, specify CWN-HK-XX.

### CWN-HK-01

For midspan splices or panel mounting with 2-56



FILISTER SCREW C-09-01

LOCK WASHER G-07-06-04

STAND-OFF C-83-03

FLAT WASHER G-07-05-02

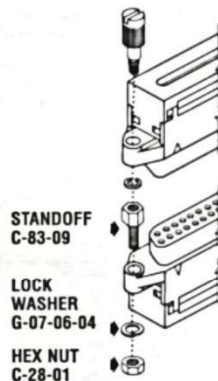
LOCK WASHER G-07-06-04

HEX NUT C-28-01

**CWN-HK-02**  
For midspan splices with metal-shell D connectors using 4-40 hardware.

### CWN-HK-03

Two 4-40 threaded jack screws and retaining rings for midspan splices.



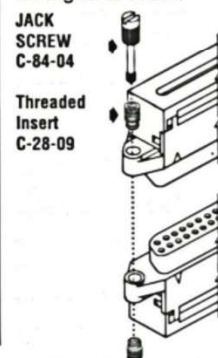
### CWN-HK-04

Two 4-40 threaded jack sockets, lock washers and hex nuts for midspan splices or panel mounting.

### CWN-HK-05

Two 4-40 threaded jack screws and thread press-fit inserts\* for midspan cable splices.

\*requires connector mounting holes enlarged to .150".



HARDWARE SCREW C-06-08

THREADED INSERT C-28-02

HEX NUT C-28-03

LOCK WASHER G-07-06-01

THREADED INSERT C-28-02

### CWN-HK-06

Two 2-56 threaded screws, four threaded press-fit inserts, two hex nuts and lock washers for economical midspan splices.