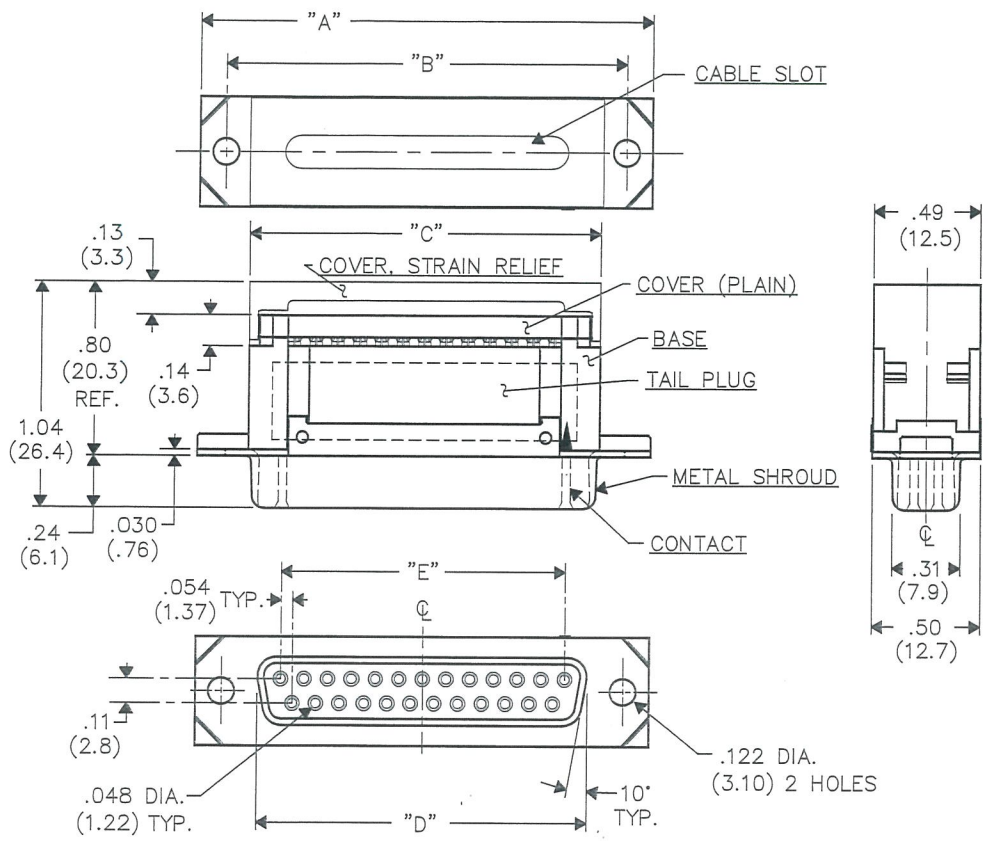


F
 D
 C
 B
 A

THIS INFORMATION IS CONFIDENTIAL AND PROPRIETARY TO CW INDUSTRIES INCORPORATED AND ITS AFFILIATES. IT MAY NOT BE DISCLOSED TO ANYONE, OTHER THAN CW INDUSTRIES PERSONNEL, WITHOUT WRITTEN AUTHORIZATION FROM CW INDUSTRIES INCORPORATED, SOUTHAMPTON, PENNSYLVANIA USA.



CUSTOMER DRAWING

DIMENSIONS IN INCHES (MILLIMETERS)
DO NOT SCALE DRAWING Dwg. No. **CWR-281-XX-0022**

- NOTES:**
1. Dimensions are in inches; dimensions in () are millimeters.
 2. Metric equivalents are given for general information only, and are based upon 1.00 inches equals (25.4) millimeters.
 3. Unless otherwise specified, tolerances are $\pm .005$ (.13) for three place decimals, and $\pm .01$ (.3) for two place decimals.

MATERIALS:

PLASTIC PARTS - UL94V-0 thermoplastic (blue, standard) flame retardant.

CONTACTS - Phosphor bronze.

CONTACT PLATING - Selective gold plating, .000050 (min.) gold over .000050 nickel in Mating Area, and gold flash over .000050 Nickel in remaining area.

OPERATING STANDARDS:

TEMPERATURE RATING - 125° C

CONTACT RATING - 1 ampere.

DIELECTRIC STRENGTH - Over 500V.D.C. at sea level.

INSULATION RESISTANCE - Greater than 5×10^9 ohms.

This Connector Meets MIL-C-24308.

NO. CONTS.	A	B	C	D	E	MIL-C-24308/
9	1.224 (31.09)	.984 (24.99)	.762 (19.35)	.644 (16.36)	.434 (11.02)	27-01
15	1.552 (39.42)	1.312 (33.32)	1.088 (27.64)	.970 (24.64)	.760 (19.30)	27-02
25	2.092 (53.14)	1.852 (47.04)	1.632 (41.45)	1.514 (38.46)	1.303 (33.10)	27-03
37	2.740 (69.60)	2.500 (63.50)	2.284 (58.01)	2.166 (55.02)	1.955 (49.66)	27-04

1 2 3 4 5 6 7 8 9 10

FORM-B4

REVISIONS

Update & Redrawn, Updated Chart.
DGW 2/23/24
FEB 26 2024

4

CW INDUSTRIES
Southampton, Pa. 18966

TOLERANCES UNLESS OTHERWISE SPECIFIED

2 Place Decimal $\pm .010$	METRIC
3 Place Decimal $\pm .005$	1 Place Dec. $\pm .25$ mm
Angles $\pm 1^\circ$	2 Place Dec. $\pm .13$ mm

Made for: CW IND. Division: CONNECTOR

Drawn by: DGW 2/23/24

Checked by: G. GULD 2-26-24 Dwg. No. CWR-281-XX-0022

Approval: [Signature] 2/26/24

Title: METAL SHROUD "D" CONNECTOR PLUG (FEMALE CONTACTS)

MASTER