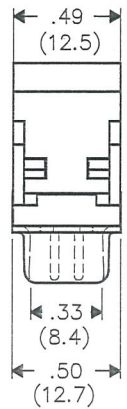
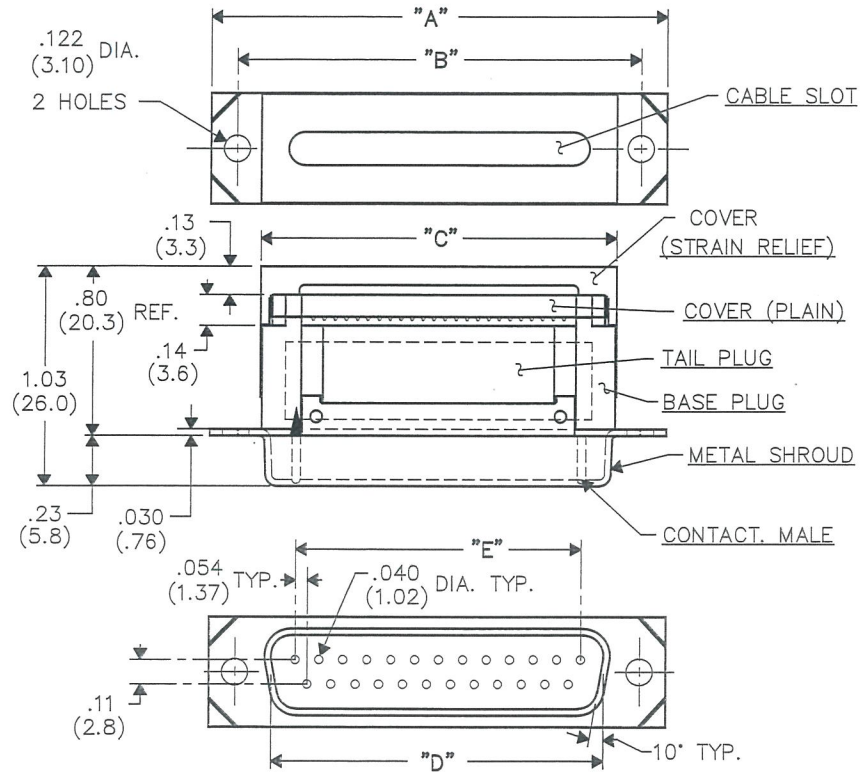


THIS INFORMATION IS CONFIDENTIAL AND PROPRIETARY TO CW INDUSTRIES INCORPORATED AND ITS AFFILIATES. IT MAY NOT BE DISCLOSED TO ANYONE OTHER THAN CW INDUSTRIES PERSONNEL, WITHOUT WRITTEN AUTHORIZATION FROM CW INDUSTRIES INCORPORATED, SOUTHAMPTON, PENNSYLVANIA USA.

DIMENSIONS IN INCHES (MILLIMETERS)  
DO NOT SCALE DRAWING .....

Dwg. No.  
**CWR-280-XX-0022**

E  
D  
C  
B  
A



**NOTES:**

1. Dimensions are in inches; dimensions in ( ) are millimeters.
2. Metric equivalents are given for general information only, and are based upon 1.00 inches equals (25.4) millimeters.
3. Unless otherwise specified, tolerances are  $\pm 0.005$  (.13) for three place decimals, and  $\pm 0.01$  (.3) for two place decimals.

**MATERIALS:**

**PLASTIC PARTS** - UL94V-0 thermoplastic (blue, standard) flame retardant.  
**CONTACTS** - Phosphor bronze.  
**CONTACT PLATING** - Selective gold plating, .000050 (min.) gold over .000050 nickel in Mating Area, and gold flash over .000050 Nickel in remaining area.

**OPERATING STANDARDS:**

**TEMPERATURE RATING** - 125° C  
**CONTACT RATING** - 1 ampere.  
**DIELECTRIC STRENGTH** - Over 500V.D.C. at sea level.  
**INSULATION RESISTANCE** - Greater than  $5 \times 10^9$  ohms.

This Connector Meets MIL-C-24308.

NO. CONTS.	A	B	C	D	E	MIL-C-24308/
9	1.224 (31.09)	.984 (24.99)	.762 (19.35)	.656 (16.66)	.434 (11.02)	28-01
15	1.552 (39.42)	1.312 (33.32)	1.088 (27.64)	.982 (24.94)	.760 (19.30)	28-02
25	2.092 (53.14)	1.852 (47.04)	1.632 (41.45)	1.526 (38.76)	1.303 (33.10)	28-03
37	2.740 (69.60)	2.500 (63.50)	2.284 (58.01)	2.178 (55.32)	1.955 (49.66)	28-04

CUSTOMER DRAWING

1 2 3 4 5 6 7 8 9 10

FORM-B4  
**REVISIONS**  
 Update & Redrawn. Updated Chart  
 DSW 2/23/24  
 2  
 2/21/24

**CW INDUSTRIES**  
 Southampton, Pa. 18966

TOLERANCES UNLESS OTHERWISE SPECIFIED  
 2 Place Decimal  $\pm 0.010$  METRIC  
 3 Place Decimal  $\pm 0.005$  1 Place Dec.  $\pm .25$ mm  
 Angles .....  $\pm 1^\circ$  2 Place Dec.  $\pm .13$ mm

File Made  
 Made for: CW IND.  
 Drawn by: DGW 2/23/24  
 Checked by: G. Guld 2-26-24  
 Approval: [Signature] 2/21/24

Title: METAL SHROUD "D" CONNECTER RECEPTACLE (MALE CONTACTS)  
 Division: CONNECTER  
 Dwg. No. CWR-280-XX-0022

MASTER