

DIMENSIONS IN INCHES (MILLIMETERS)  
DO NOT SCALE DRAWING .....

Dwg. No.

CWR-210-XX-0022

**NOTES:**

1. Dimensions are in inches; dimensions in ( ) are in millimeters.
2. Metric equivalents are given for general information only, and are based upon 1.00 inches equals (25.4) millimeters.
3. Unless otherwise specified, tolerance are  $\pm 0.005$  ( $\pm 0.13$ ) for three place decimals, and  $\pm 0.01$  ( $\pm 0.3$ ) for two place decimals.
4. Polarization rib slot (RS-2) omitted in size 10 and 14 connectors.

**MATERIALS:**

PLASTIC PARTS - UL94V-0 Flame Retardant Thermoplastic.  
COLOR - Blue.

CONTACTS - Phosphor Bronze Alloy.

CONTACT PLATING - Selective gold plating .000050(min.) gold over .000050 nickel in mating area, and gold flash over .000050 nickel in remaining area.

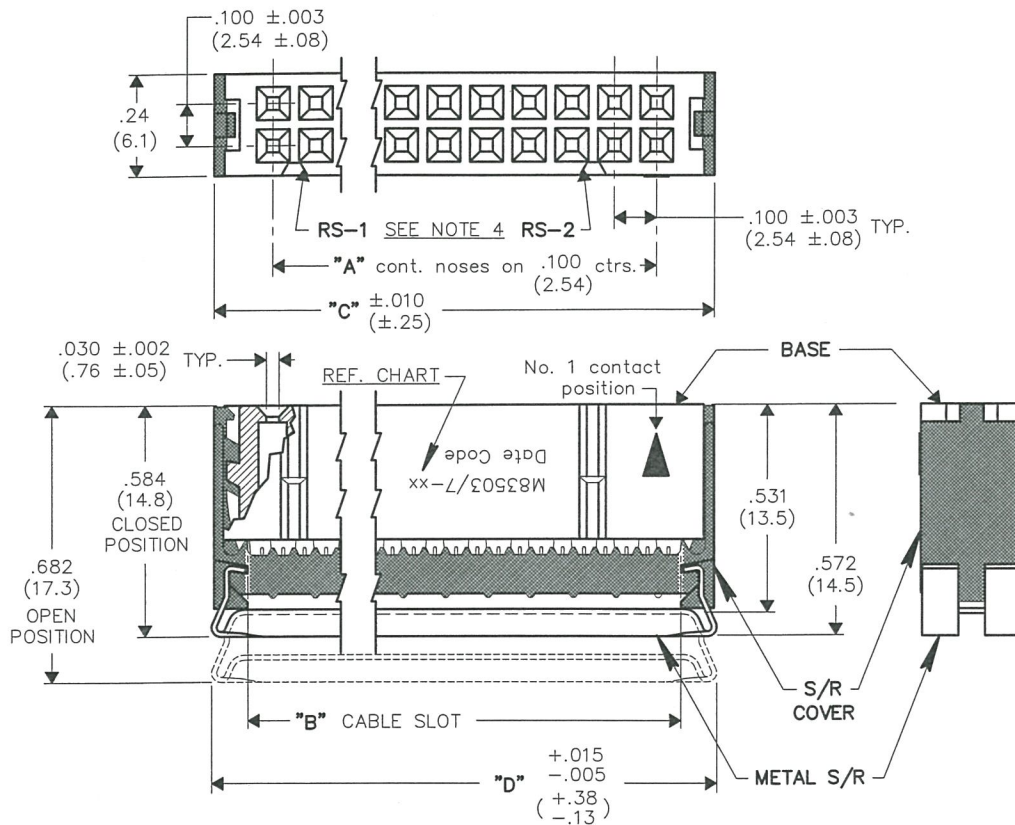
**OPERATING STANDARDS:**

TEMPERATURE RATING - 125°C.

CONTACT RATING - 1 ampere.

DIELECTRIC STRENGTH - Over 500 v.d.c. at sea level.

CONDUCTORS ACCEPTED - 28-30 AWG solid or stranded.



XX CONTS.	CONNECTOR DIMENSIONS				Mil-DTL- M83503/7
	A	B	C	D	
10	.400 (10.16)	.515 (13.08)	.677 (17.20)	.690 (17.53)	-01
14	.600 (15.24)	.715 (18.16)	.877 (22.28)	.890 (22.61)	-02
16	.700 (17.78)	.815 (20.70)	.977 (24.82)	.990 (25.15)	-03
20	.900 (22.86)	1.015 (25.78)	1.177 (29.90)	1.190 (30.23)	-04
26	1.200 (30.48)	1.315 (33.40)	1.477 (37.52)	1.490 (37.85)	-06
34	1.600 (40.64)	1.715 (43.56)	1.877 (47.68)	1.890 (48.01)	-08
40	1.900 (48.26)	2.015 (51.18)	2.177 (55.30)	2.190 (55.63)	-09
50	2.400 (60.96)	2.515 (63.88)	2.677 (68.00)	2.690 (68.33)	-10
60	2.900 (73.66)	3.015 (76.58)	3.177 (80.70)	3.190 (81.03)	-11

CUSTOMER DWG.

REVISIONS

1  
UPDATED & REDRAWN:  
DGW 3-20-2002  
APR 02 2002

ATTENTION

THIS DRAWING AND ITS ATTACHMENTS, IF ANY, ARE PROPRIETARY TO CW INDUSTRIES AND DESCRIBE DESIGNS THAT ARE CONFIDENTIAL AND MUST NOT BE DISCLOSED UNLESS AUTHORIZED, IN WRITING, BY AN OFFICER OF CW INDUSTRIES.....

**CW INDUSTRIES**  
Southampton, Pa. 18966

TOLERANCES UNLESS OTHERWISE SPECIFIED  
2 Place Decimal ±.010 METRIC  
3 Place Decimal ±.005 1 Place Dec. ±.25mm  
Angles ..... ±1' 2 Place Dec. ±.13mm

Made for: CW IND.  
Drawn by: DGW 3-20-2002  
Checked by: G. Gold 4/1/02  
Approval: [Signature] 4/1/02

Title: SOCKET CONNECTOR  
PLASTIC COVER - METAL S/R  
.100" x .100" CENTERS  
(.050" CENTER FLAT CABLE)  
NO KEYING

Division: CONNECTOR

Dwg. No. CWR-210-XX-0022

MASTER