

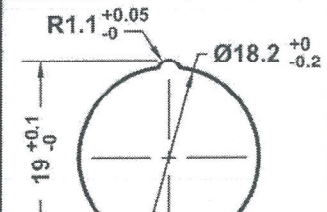
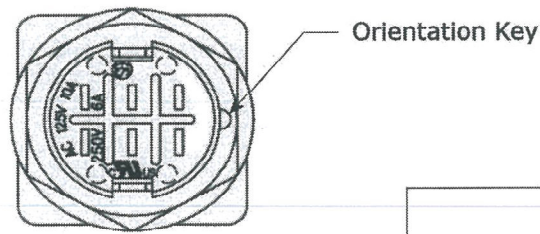
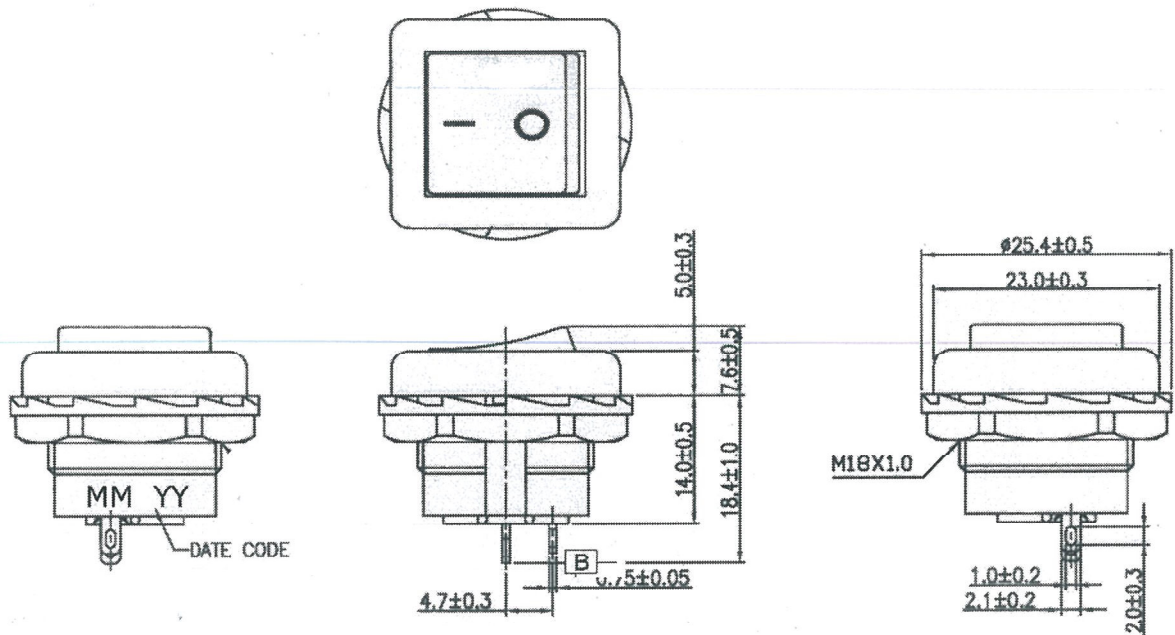


THIS INFORMATION IS CONFIDENTIAL AND PROPRIETARY TO CW INDUSTRIES INCORPORATED AND ITS AFFILIATES. IT MAY NOT BE DISCLOSED TO ANYONE, OTHER THAN CW INDUSTRIES PERSONNEL, WITHOUT WRITTEN AUTHORIZATION FROM CW INDUSTRIES INCORPORATED, SOUTHAMPTON, PENNSYLVANIA USA.

Rating	10A 125V, 6A 250V AC		Mounting Hole	
Contact Resistance	50m ohm max.			
Insulation Resistance	DC 500V 100M ohm min.			
Dielectric Strength	AC 1500V 1 minute			
Switch Function	2P SPST ON-OFF			

BASE COLOR: Black
 BUTTON COLOR: Black
 PRINTED: White, hot stamping

Cut-Out 6.0 mm thk. max.



ORDER CHART					
Series	Function		Marking		
GRB	136	A 05	B	B	2
Rocker Style		Terminal Style	Rocker Color		
			Base Color		

RoHS Compliant

MASTER

R13-136A-05-BB2

- 2 Removed logo and added order chart. DW 2/27/23.
- 1 Added Orientation Key to bottom view. 1/24/12.

CW INDUSTRIES
 Southampton, Pa. 18966
 Tel 215.355.7080/www.cwind.com

Date Drawn: 12/17/09
 Rev. 2
 Title: **ROCKER SWITCH**

Unit: mm
 Checked By: *G. GULD*
 CW P/N: **GRB136A05BB2**