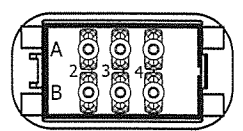
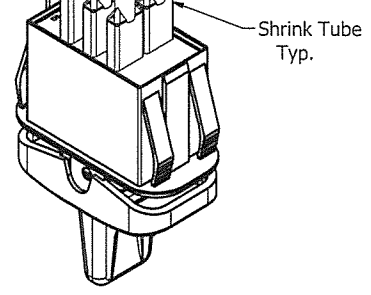
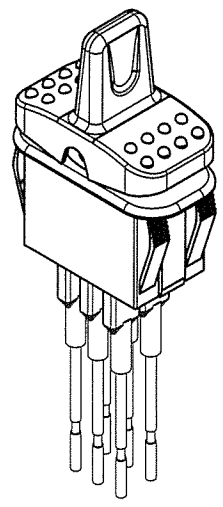
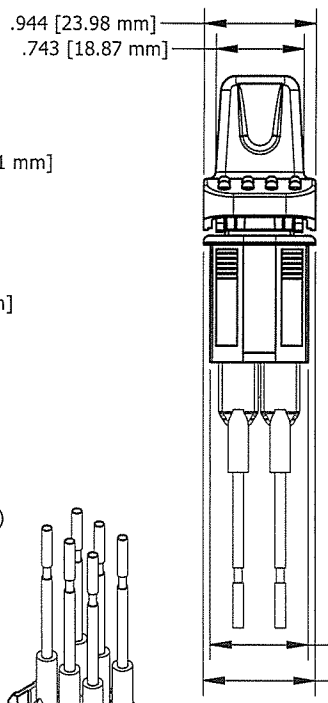
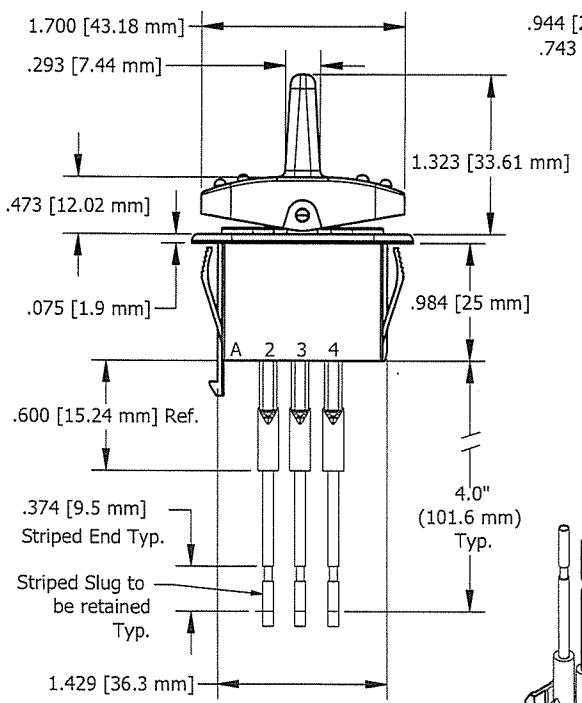
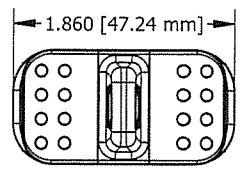


THIS INFORMATION IS CONFIDENTIAL AND PROPRIETARY TO CW INDUSTRIES INCORPORATED AND ITS AFFILIATES. IT MAY NOT BE DISCLOSED TO ANYONE, OTHER THAN CW INDUSTRIES PERSONNEL, WITHOUT WRITTEN AUTHORIZATION FROM CW INDUSTRIES INCORPORATED, SOUTHAMPTON, PENNSYLVANIA USA.

F
E
D
C
B
A



DIMENSIONS IN INCHES (MILLIMETERS)
DO NOT SCALE DRAWING

Dwg. No. **GRB-292-1000**

REVISIONS

0	NEW.	8/29/23	AW 292003
			DGW 8/24/23

Mounting Hole

Thickness	"X"	"Y"	(mm)
.030 - .049 (0.75 - 1.25)	.827 +.012 -0	1.441 +.004 -0	(36.6 +.01 -0)
.049 - .079 (1.25 - 2.0)	(21.0 +.03 -0)	1.449 +.004 -0	(36.8 +.01 -0)
.079 - .118 (2.0 - 3.0)		1.457 +.004 -0	(37.0 +.01 -0)

FUNCTION:

DPDT (ON) - OFF - (ON)

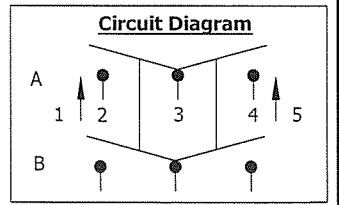
Rating: 10A 28VDC
IP 67

Wire Specification:

UL 1007, 18 Gauge, Stranded, 300V

Shrink Tube Specification:

Flexible Polyolefin



Terminal No.	Wire Color
A2	Red
A3	Black
A4	Red
B2	Blue
B3	White
B4	Blue

CW INDUSTRIES
Southampton, Pa. 18966

TOLERANCES UNLESS OTHERWISE SPECIFIED

2 Place Decimal ± .010	METRIC
3 Place Decimal ± .005	1 Place Dec. ± .25mm
Angles ± 1°	2 Place Dec. ± .13mm

Made for: CW IND.
 Drawn by: DGW 8/24/23
 Checked by: G. GOLD 8-29-23
 Approved: [Signature] 8/29/23

Title: **TAB
ROCKER
SWITCH
(ON)-OFF-(ON)**

Division: SWITCH

Dwg. No. **GRB-292-1000**

MASTEP

1 2 3 4 5 6 7 8 9 10